

R12B SERIES

High Purity Low Flow Regulator

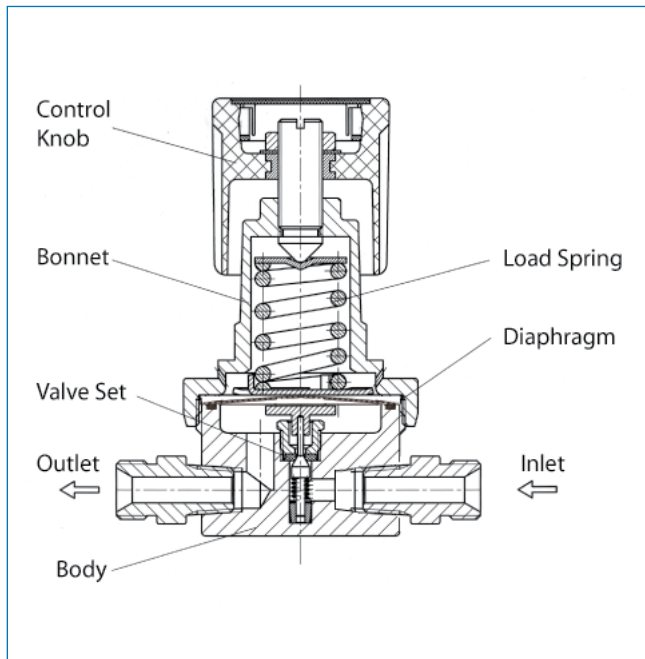
Specialty Gas Equipment



» R12BGK-DIK-52-71

Materials

- | | |
|-------------|------------------------------|
| • Body | Nickel-Plated Brass Barstock |
| • Seat | PCTFE, PTFE |
| • Diaphragm | 316L Stainless Steel |
| • Stem | 316L Stainless Steel |
| • Spring | 316L Stainless Steel |



GENTEC® R12B Series Low Flow Regulator is a diaphragm-sensed single-stage high purity regulator.

Product Features

- Single-Stage Configuration
- Metal-to-Metal Seal
- Inlet & Outlet Port Size: 1/4" NPT(F)
- 2" Pressure Gauge

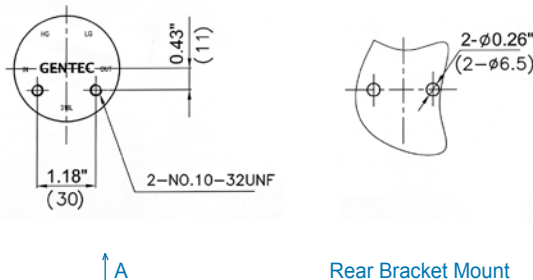
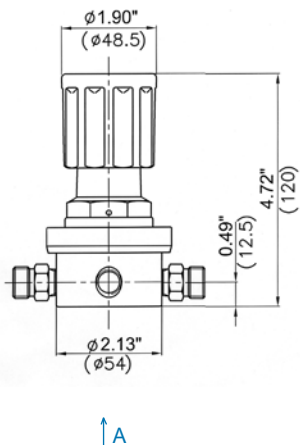
Applications

- Gas Chromatography
- Gas Manifold Systems
- Research Laboratories
- Process Analyzer
- Petrochemical Industry
- Semi-conductor Industry

Specifications

- **Maximum inlet pressure:** 3000 psi (206 bar)
- **Maximum outlet pressure:** 250 psi (17 bar)
- **Safety test pressure:** 1.5 x Maximum inlet pressure
- **Temperature range:** -20 to 150°F (-29 to 66°C)
- **Inboard leakage:** 2×10^{-8} atm.cc/sec He
- **Outboard leakage:** 2×10^{-8} atm.cc/sec He
- **Maximum Cv:** 0.15
- **Weight:** 3.3 lb (1.5 kg)

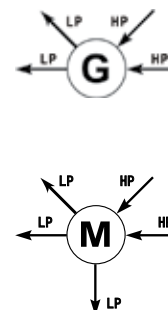
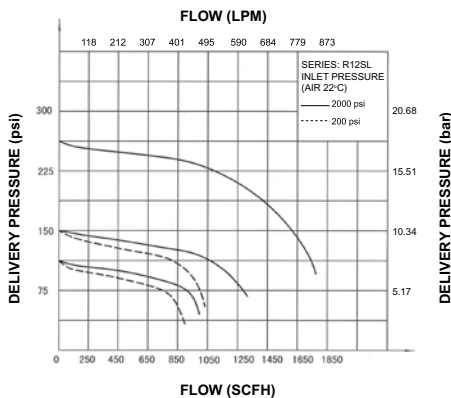
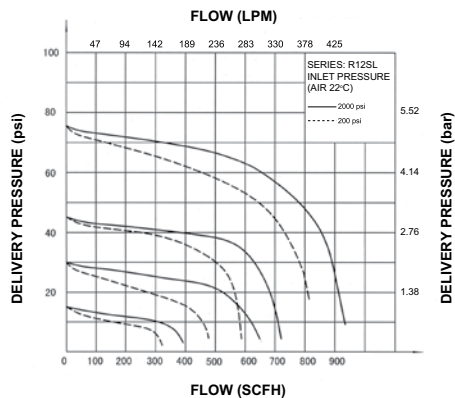
Dimensions



Rear Bracket Mount

Flow Data

Body Port



Ordering Information

EX:R12B	M	K -	D	Q	P -	00 -	00 -	R
Series	Body Ports	Seat	Inlet Pressure Range	Outlet Pressure Range	Gauge	Inlet Connections	Outlet Connections	Options
• R12B	G M	K: PCTFE T: PTFE	D: 3000 psi (206 bar) E: 1500 psi (103 bar) F: 500 psi (35 bar)	G: 0-250 psi (17 bar) I: 0-100 psi (7 bar) K: 0-50 psi (3 bar) L: 0-25 psi (1.5 bar) M: 0-15 psi (1 bar) Q: 30" Hg Vac-30 psi (2 bar) S: 30" Hg Vac-100 psi (7 bar) T: 30" Hg Vac-200 psi (14 bar)	P: psi / bar K: psi / kPa W: No Gauge	00: 1/4" NPT(F) C346: CGA346 C320: CGA320 C350: CGA350 C510: CGA510 C540: CGA540 C580: CGA580 C590: CGA590 C326: CGA326 DN05: DIN477 No.5 BS02: BS341 No.2 Other connections available*	00: 1/4" NPT(F) 01: 1/4" NPT(M) 10: 1/8" GENLOK 11: 1/4" GENLOK 12: 3/8" GENLOK 15: 6 mm GENLOK 16: 8 mm GENLOK 14B: 1/4" Hose Barb Other connections available*	Blank: None D: Diaphragm Valve N: Needle Valve R: Relief Valve

*: Please see page 83 for more inlet connection options such as DIN, BSP, CGA, and JIS.

R13B SERIES

High Purity Low Flow Regulator

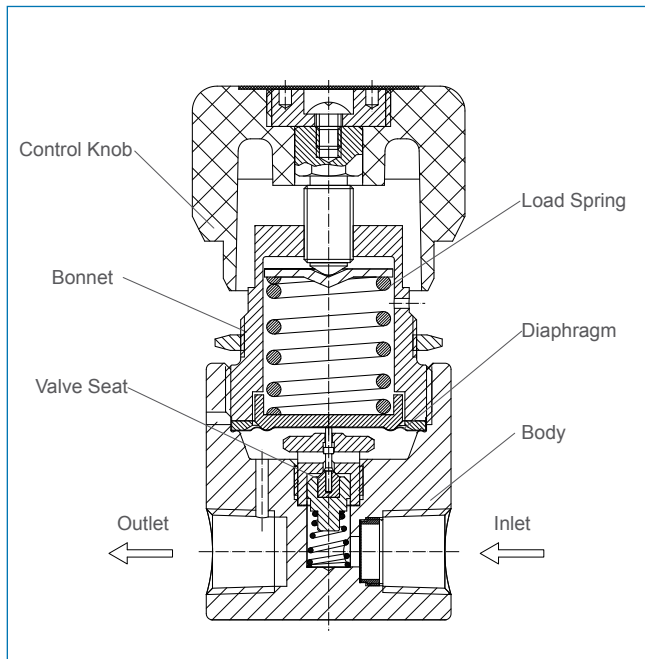
Specialty Gas Equipment



» R13BGT-DJK-52-71

Materials

- | | |
|-------------|------------------------------|
| • Body | Nickel-Plated Brass Barstock |
| • Seat | PTFE |
| • Diaphragm | 316L Stainless Steel |
| • Stem | 316L Stainless Steel |
| • Spring | 316L Stainless Steel |



GENTEC® R13B Series Regulator is a diaphragm-sensed single-stage high purity regulator designed for applications where low flow is desired.

Product Features

- Single-Stage Configuration
- Metal-to-Metal Seal
- Inlet & Outlet Port Size: 1/4" NPT(F)
- 1.5" Pressure Gauge

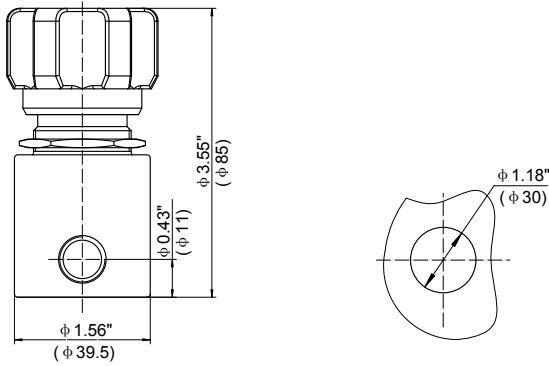
Applications

- Gas Chromatography
- Research Laboratories
- Process Analyzer
- Petrochemical Industry
- Semi-conductor Industry
- Power Plant

Specifications

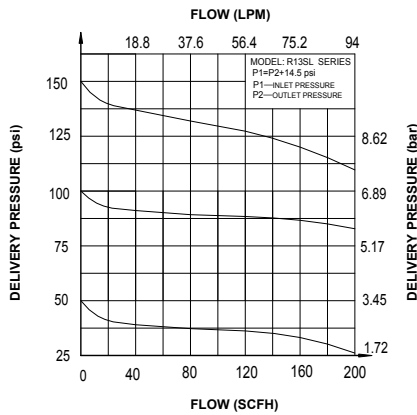
- **Maximum inlet pressure:** 3000 psi (206 bar)
- **Maximum outlet pressure:** 150 psi (10 bar)
- **Safety test pressure:** 1.5 x Maximum inlet pressure
- **Temperature range:** -40 to 165°F (-40 to 74°C)
- **Inboard leakage:** 2×10^{-8} atm.cc/sec He
- **Outboard leakage:** 2×10^{-8} atm.cc/sec He
- **Maximum Cv:** 0.06
- **Weight:** 1.3 lb (0.6 kg)

Dimensions

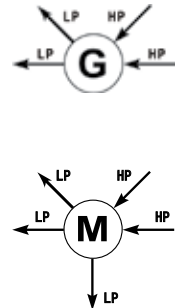


Rear Bracket Mount

Flow Data



Body Port



Ordering Information

EX:R13B	G	T -	D	H	K -	01 -	10	Options
Series	Body Ports	Seat	Inlet Pressure Range	Outlet Pressure Ranges	Gauge	Inlet Connections	Outlet Connections	
• R13B	G M	T: PTFE	D: 3000 psi (206 bar)	H: 0-150 psi (10 bar) I: 0-100 psi (7 bar) J: 0-75 psi (5 bar) K: 0-50 psi (3 bar) L: 0-25 psi (2 bar)	P: psi / bar K: psi / kPa W: No Gauge	00: 1/4" NPT(F) 01: 1/4" NPT(M) C330: CGA330 C350: CGA350 C580: CGA580 C660: CGA660 C590: CGA590 DN05: DIN477 No.5 BS02: BS341 No.2 52: G5/8"-RH(F) Other connections available*	00: 1/4" NPT(F) 10: 1/8" GENLOK 15: 6 mm GENLOK 16: 8 mm GENLOK Other connections available*	R: Relief Valve

*: Please see page 83 for more inlet connection options such as DIN, BSP, CGA, and JIS.

R17B SERIES

High Purity High Flow Regulator

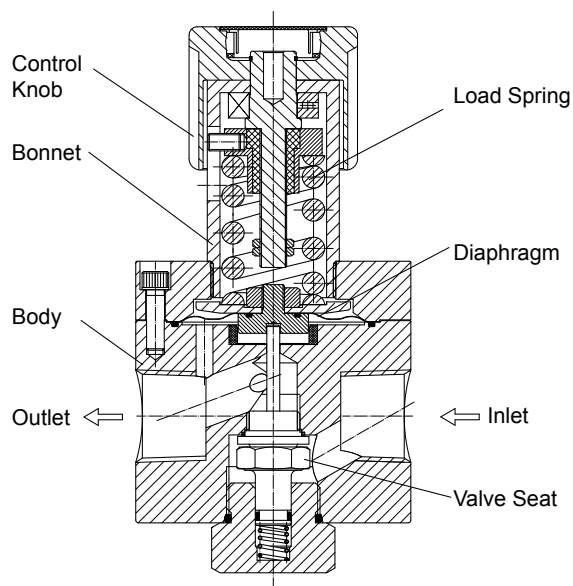
Specialty Gas Equipment



» R17BJB-FGK-08-08

Materials

• Body	Nickel-Plated Brass Barstock
• Seat	PU, NBR
• Diaphragm	316L Stainless Steel, PTFE
• Stem	316L Stainless Steel
• Spring	316L Stainless Steel



GENTEC® R17B Series Stainless Steel Regulator is a diaphragm-sensed single-stage high flow regulator.

Product Features

- Single-Stage Configuration
- Inlet & Outlet Port Size: 1" NPT(F)
- 2" Pressure Gauge

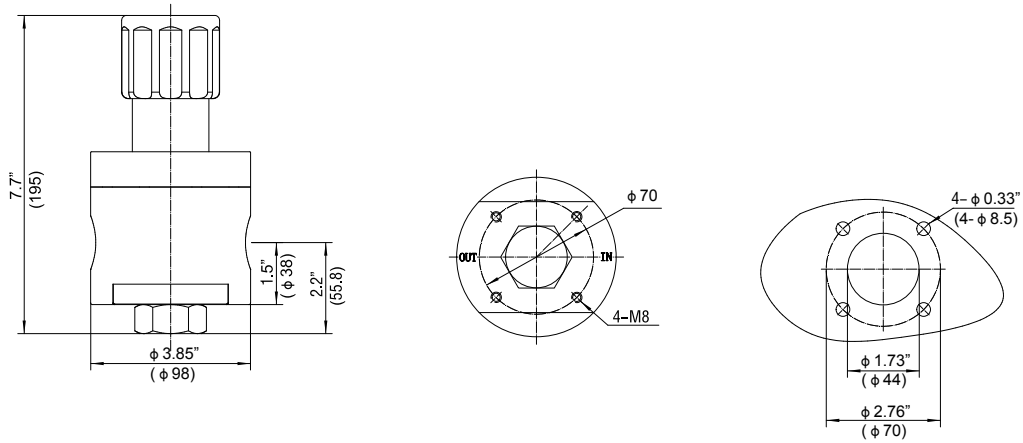
Applications

- petrochemical
- power plant equipment
- low pressure tank
- heat treatment equipment

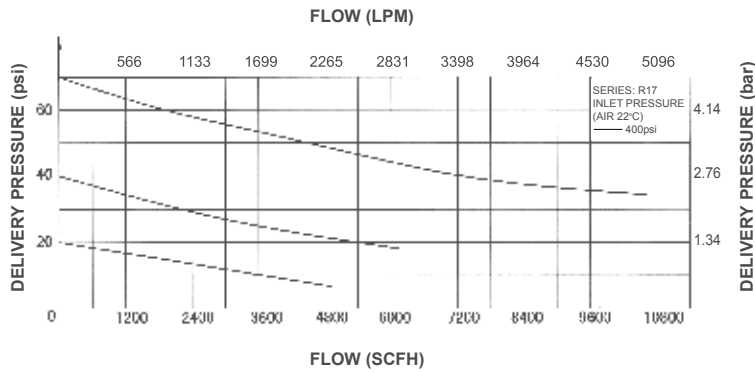
Specifications

- **Maximum inlet pressure:**
 - PU Seat: 3000 psi (206 bar)
 - NBR Seat: 500 psi (34 bar)
- **Maximum outlet pressure:**
 - 316L Diaphragm: 250 psi (17 bar)
 - PTFE Diaphragm: 50 psi (3.4 bar)
- **Safety test pressure:** 1.5 x Maximum inlet pressure
- **Temperature range:** -10 to 250°F (-23 to 121°C)
- **Inboard leakage:** 2×10^{-8} atm.cc/sec He
- **Outboard leakage:** 2×10^{-8} atm.cc/sec He
- **Maximum Cv:** 5.2
- **Weight:** 13.23 lb (6 kg)

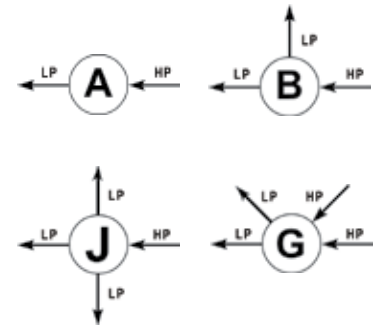
Dimensions



Flow Data



Body Port



Ordering Information

EX:R17B	J	B -	F	K	P -	08 -	08
Series	Body Ports	Seat	Inlet Pressure Range	Outlet Pressure Ranges	Gauge	Inlet Connections	Outlet Connections
• R17B	A B G J	P: PU B: NBR	D: 3000 psi (206 bar) F: 500 psi (35 bar)	316L Diaphragm G: 0-250 psi (17 bar) H: 0-150 psi (10 bar) I: 0-100 psi (7 bar) PTFE Diaphragm J: 0-75 psi (5 bar) K: 0-50 psi (3 bar) L: 0-25 psi (1.7 bar) M: 0-15 psi (1 bar) N: 0-6 psi (0.4 bar)	P: psi / bar K: psi / kPa W: No Gauge	08: 1" NPT(F) Other connections available*	08: 1" NPT(F) Other connections available*

*: For more options contact GENTEC.

R21B SERIES

High Purity Low Flow Regulator

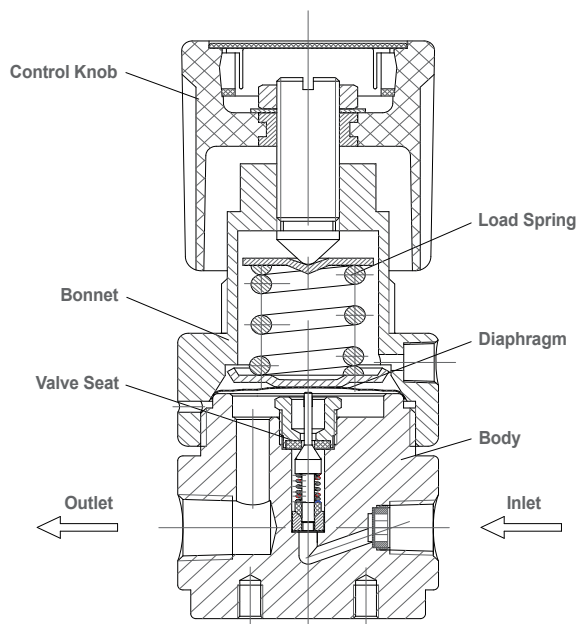
Specialty Gas Equipment



» R21BMK-DIK-C590-11-D

Materials

- | | |
|------------------|------------------------------|
| • Body | Nickel-Plated Brass Barstock |
| • Bonnet | Nickel-Plated Brass Barstock |
| • Seat | PCTFE |
| • Diaphragm | 316L Stainless Steel |
| • Adjusting Knob | ABS Plastic |



GENTEC® R21B Series Brass Regulator is a diaphragm-sensed single-stage high purity regulator designed for use with analytical applications using non-corrosive gases.

Product Features

- Single-Stage Configuration
- Metal-to-Metal Seal
- Inlet & Outlet Port Size: 1/4" NPT(F)
- 2" Pressure Gauge

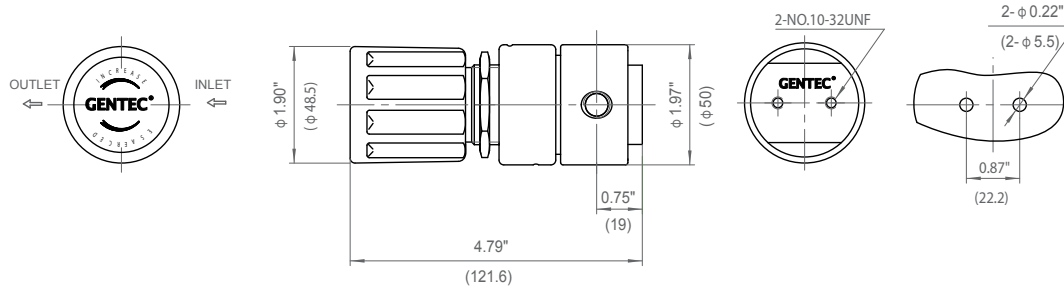
Applications

- Semiconductor Industry
- Research Laboratories
- Process Analyzer
- Gas Chromatography
- Petrochemical Industry
- Power Plants

Specifications

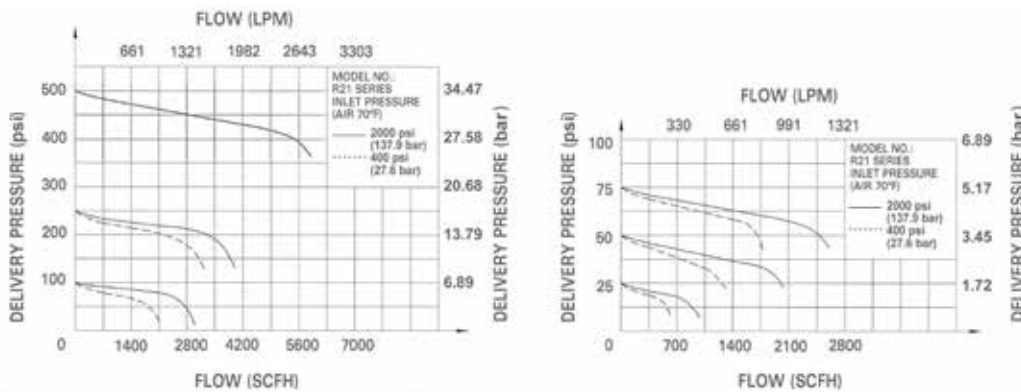
- Maximum inlet pressure: 4500 psi (310 bar)
- Maximum outlet pressure: 500 psi (35 bar)
- Safety test pressure: 1.5 x Maximum inlet pressure
- Temperature range: -40 to 165°F (-40 to 74°C)
- Inboard leakage: 2×10^{-8} atm.cc/sec He
- Outboard leakage: 2×10^{-8} atm.cc/sec He
- Maximum Cv: 0.14
- Weight: 2.2 lb (0.82 kg)

Dimensions

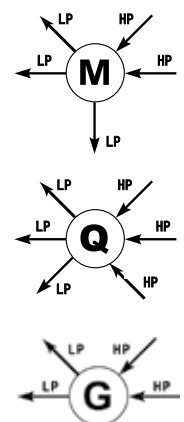


Rear Bracket Mount

Flow Data



Body Ports



Ordering Information

EX:R21B	M	K -	D	I	K -	C590 -	11 -	D
Series	Body Ports	Seat	Inlet Pressure Range	Outlet Pressure Ranges	Gauge	Inlet Connections	Outlet Connections	Options
• R21B	M Q G	K: PCTFE	C: 4500 psi (310 bar) D: 3000 psi (206 bar)	F: 0-500 psi (35 bar) G: 0-250 psi (17 bar) I: 0-100 psi (7 bar) K: 0-50 psi (3 bar) L: 0-25 psi (2 bar) Q: 30" Hg Vac-30 psi (2 bar) S: 30" Hg Vac-100 psi (7 bar) T: 30" Hg Vac-200 psi (14 bar)	P: psi / bar K: psi / kPa W: No Gauge	00: 1/4" NPT(F) C346: CGA346 C320: CGA320 C350: CGA350 C510: CGA510 C540: CGA540 C580: CGA580 C590: CGA590 C326: CGA326 DN05: DIN477 No.5 BS02: BS341 No.2 Other connections available*	00: 1/4" NPT(F) 01: 1/4" NPT(M) 10: 1/8" GENLOK 11: 1/4" GENLOK 15: 6 mm GENLOK 16: 8 mm GENLOK Other connections available*	Blank: None D: Diaphragm Valve N: Needle Valve R: Relief Valve

*: Please see page 83 for more inlet connection options such as DIN, BSP, CGA, and JIS.