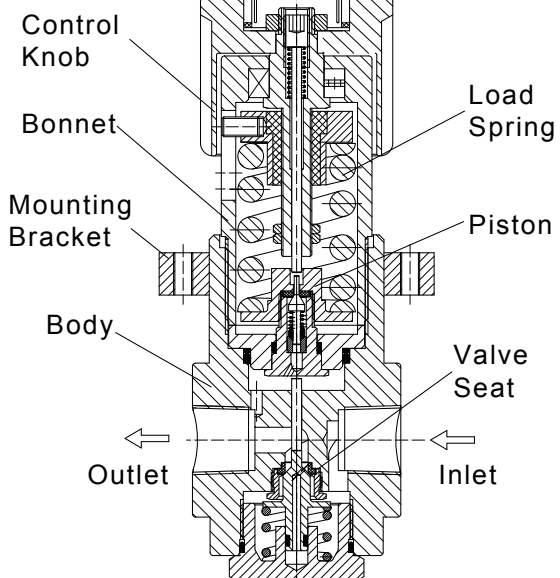




» R42SLBK-BDP-04-04

Materials

- **Body** 316L Stainless Steel
- **Bonnet** 316L Stainless Steel
- **Seat** PCTFE
- **Piston** 316L Stainless Steel
- **Adjusting Knob** Aluminium Alloy



GENTEC® R42SL Series High Pressure Stainless Steel Regulator is a piston-sensed single-stage high purity regulator designed for applications where high pressure and high flow control are desired.

Product Features

- Piston-Sensed Configuration
- Inlet & Outlet Port Size: 1/2" NPT(F)
- 2" Pressure Gauge

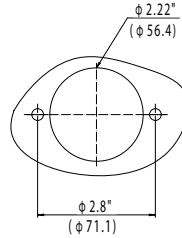
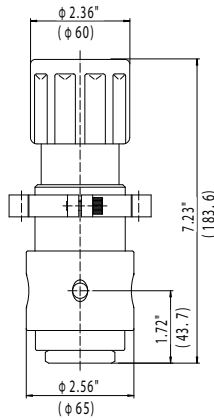
Applications

- Gas Chromatography
- Research Laboratories
- Petrochemical Industry
- Power Plant

Specifications

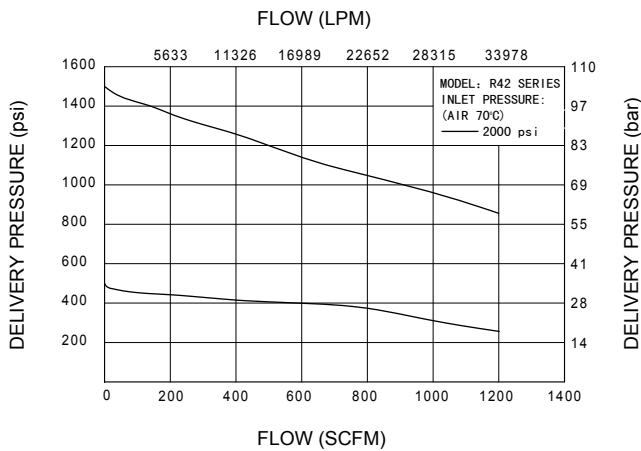
- **Maximum inlet pressure:** 6000 psi (412 bar)
- **Maximum outlet pressure:** 3000 psi (206 bar)
- **Safety test pressure:** 1.5 x Maximum inlet pressure
- **Temperature range:** -40 to 165°F (-40 to 74°C)
- **Inboard leakage:** 2×10^{-9} atm.cc/sec He
- **Outboard leakage:** 2×10^{-9} atm.cc/sec He
- **Maximum Cv:** 1.2
- **Weight:** 5.5 lb (2.5 kg)

Dimensions

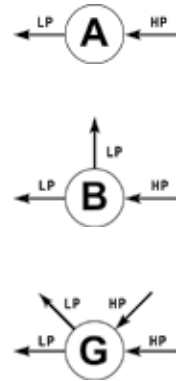


Front Panel Mount
Max. Thickness: 1/4" (7mm)

Flow Data



Body Port



Ordering Information

EX:R42SL	A	K -	B	D	W -	04 -	04 -	V
Series	Body Ports	Seat	Inlet Pressure Ranges	Outlet Pressure Ranges	Gauge	Inlet Connections	Outlet Connections	Options
• R42SL	A B G	K: PCTFE	B: 6000 psi (414 bar)	D: 0-3000 psi (206 bar) E: 0-1500 psi (103 bar) F: 0-500 psi (35 bar)	P: psi / bar K: psi / kPa W: No Gauge	04: 1/2" NPT(F) Other connections available*	04: 1/2" NPT(F) Other connections available*	Blank: None V: Self relieving (Venting)

*: For more connection options contact Gentec.



» R43SLBK-BDP-06-06

GENTEC® R43SL Series High Pressure Stainless Steel Regulator is a piston-sensed single-stage high purity regulator designed for applications where high pressure and high flow control are desired.

Product Features

- Piston-Sensed Configuration
- Inlet & Outlet Port Size: 3/4" NPT(F)
- 2" Pressure Gauge

Materials

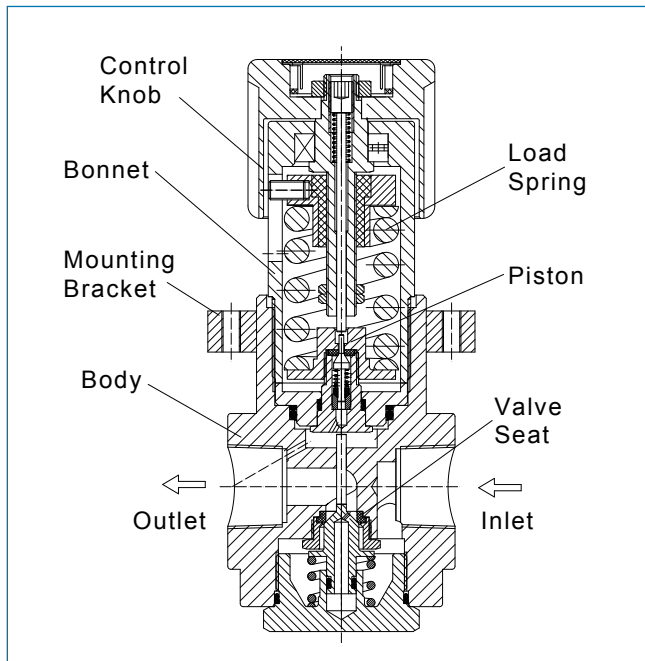
- | | |
|------------------|----------------------|
| • Body | 316L Stainless Steel |
| • Bonnet | 316L Stainless Steel |
| • Seat | PCTFE |
| • Piston | 316L Stainless Steel |
| • Adjusting Knob | Aluminium Alloy |

Applications

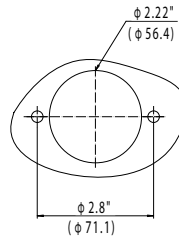
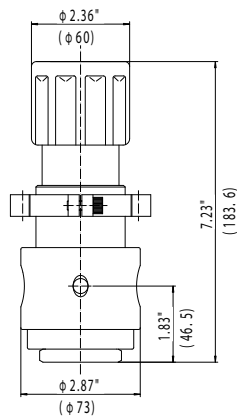
- Gas Chromatography
- Research Laboratories
- Petrochemical Industry
- Power Plant

Specifications

- Maximum inlet pressure: 6000 psi (412 bar)
- Maximum outlet pressure: 3000 psi (206 bar)
- Safety test pressure: 1.5 x Maximum inlet pressure
- Temperature range: -40 to 165°F (-40 to 74°C)
- Inboard leakage: 2×10^{-9} atm.cc/sec He
- Outboard leakage: 2×10^{-9} atm.cc/sec He
- Maximum Cv: 2.0
- Weight: 6.7 lb (3 kg)

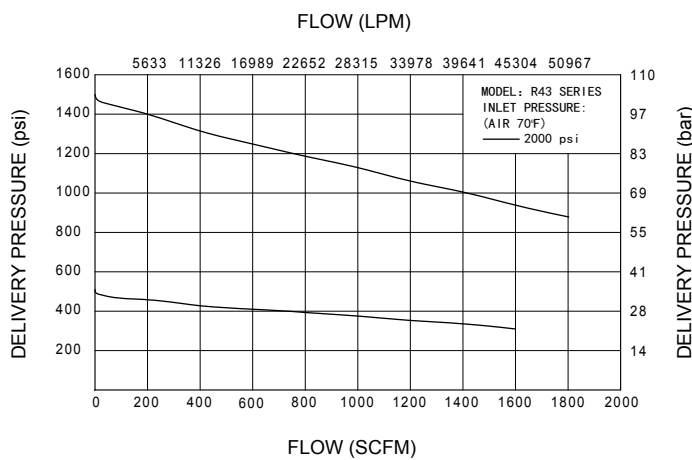


Dimensions

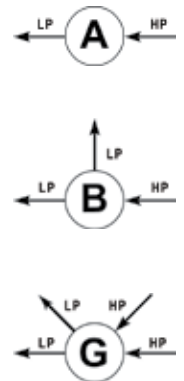


Front Panel Mount
Max. Thickness: 1/4" (7mm)

Flow Data



Body Port



Ordering Information

EX: R43SL	A	K -	B	D	W -	06 -	06 -	V
Series	Body Ports	Seat	Inlet Pressure Ranges	Outlet Pressure Ranges	Gauge	Inlet Connections	Outlet Connections	Options
• R43SL	A B G	K: PCTFE	B: 6000 psi (414 bar)	D: 0-3000 psi (206 bar) E: 0-1500 psi (103 bar) F: 0-500 psi (35 bar)	P: psi / bar K: psi / kPa W: No Gauge	06: 3/4" NPT(F) Other connections available*	06: 3/4" NPT(F) Other connections available*	Blank: None V: Self relieving (Venting)

*: For more connection options contact Gentec.

R44SL SERIES

High Pressure Low Flow Regulator

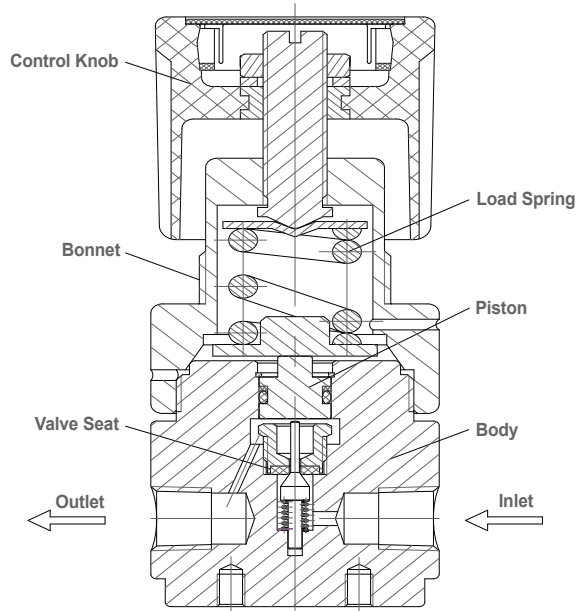
Specialty Gas Equipment



» R44SLGK-BDP-C590-11-D

Materials

- **Body** 316L Stainless Steel
- **Bonnet** 316L Stainless Steel
- **Seat** PCTFE
- **Diaphragm** 316L Stainless Steel
- **Adjusting Knob** ABS Plastic



GENTEC® R44SL Series High Pressure Stainless Steel Regulator is a piston-sensed single-stage high purity regulator designed for applications where high pressure and low flow control are desired.

Product Features

- Piston-Sensed Configuration
- Inlet & Outlet Port Size: 1/4" NPT(F)
- 2" Pressure Gauge

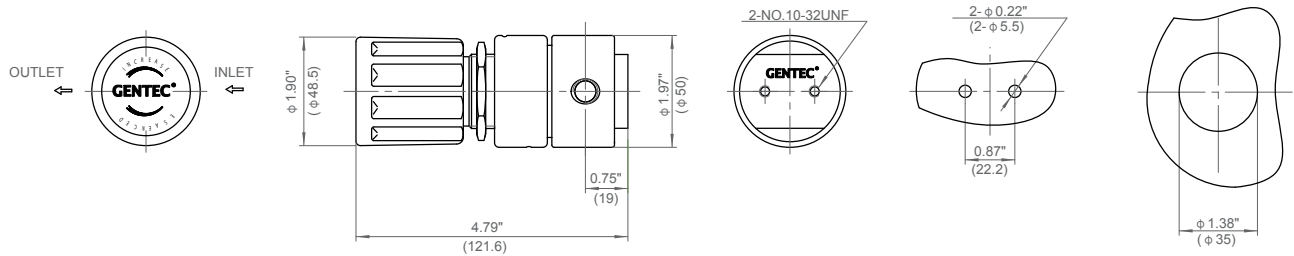
Applications

- Gas Chromatography
- Research Laboratories
- Petrochemical Industry
- Power Plant

Specifications

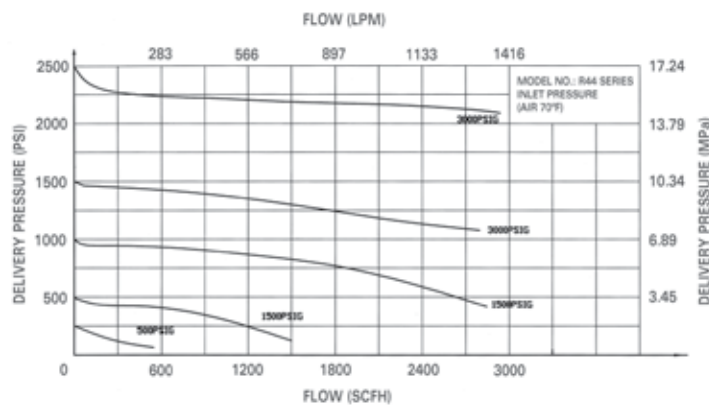
- **Maximum inlet pressure:** 6000 psi (412 bar)
- **Maximum outlet pressure:** 3000 psi (206 bar)
- **Safety test pressure:** 1.5 x Maximum inlet pressure
- **Temperature range:** -40 to 165°F (-40 to 74°C)
- **Inboard leakage:** 2×10^{-8} atm.cc/sec He
- **Outboard leakage:** 2×10^{-8} atm.cc/sec He
- **Maximum Cv:** 0.06
- **Weight:** 2.2 lb (1 kg)

Dimensions

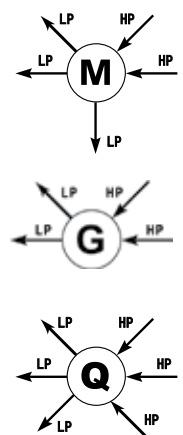


Rear Bracket Mount Front Panel Mount
Max. Thickness: 1/4" (7mm)

Flow Data



Body Port



Ordering Information

EX:R44SL	M	K -	B	D	K -	C590 -	11 -	D
Series	Body Ports	Seat	Inlet Pressure Ranges	Outlet Pressure Ranges	Gauge	Inlet Connections	Outlet Connections	Options
• R44SL	M G Q	K: PCTFE	B: 6000 psi (414 bar) C: 4500 psi (310 bar) D: 3000 psi (206 bar)	D: 0-3000 psi (206 bar) E: 0-1500 psi (103 bar) F: 0-500 psi (35 bar) G: 0-250 psi (17 bar)	P: psi / bar K: psi / kPa W: No Gauge	00: 1/4" NPT(F) C350: CGA350 C540: CGA540 C580: CGA580 C590: CGA590 C677: CGA677 C680: CGA680 C695: CGA695 DN05: DIN477 No.5 BS02: BS341 No.2 Other connections available*	00: 1/4" NPT(F) 01: 1/4" NPT(M) 10: 1/8" GENLOK 11: 1/4" GENLOK 15: 6 mm GENLOK 16: 8 mm GENLOK 14B: 1/4" Hose Barb Other connections available*	Blank: None D: Diaphragm Valve N: Needle Valve P: Panel Mount Some valves not available depending on delivery pressures

*: Please see page 83 for more inlet connection options such as DIN, BSP, CGA, and JIS.

R45SL SERIES

Ultra High Pressure Low Flow Regulator

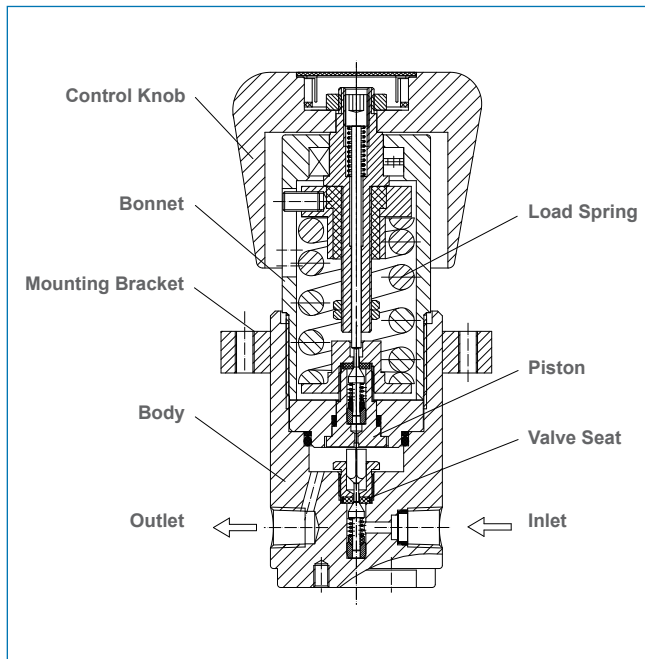
Specialty Gas Equipment



» R45SLGV-BEP-00-00

Materials

- **Body** 316L Stainless Steel
- **Seat** Vespel®
- **Piston** 316L Stainless Steel
- **Adjusting Knob** Aluminium Alloy
- **O-ring** Viton®



GENTEC® R45SL Series Ultra High Pressure Single-Stage Regulator is a piston-sensed regulator applicable for highest pressure applications.

Product Features

- Single-Stage Configuration
- Inlet & Outlet Port Size: 1/4" NPT(F)
- 2" Pressure Gauge

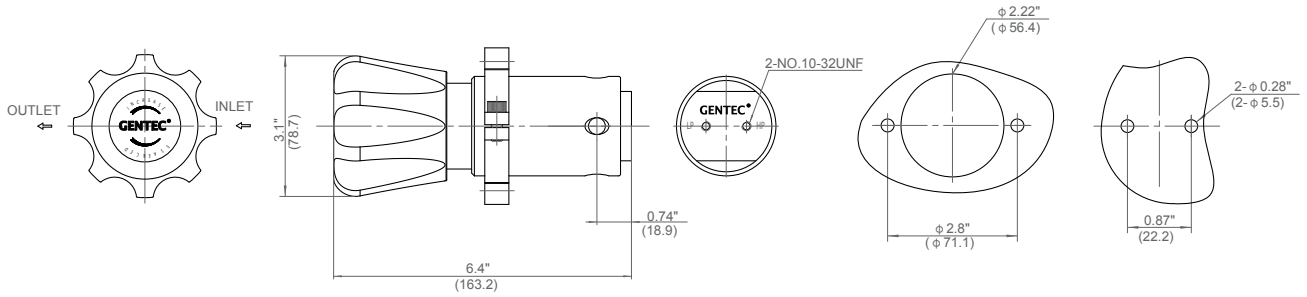
Applications

- Semiconductor Industry
- Research Laboratories
- Process Analyzer
- Gas Chromatography
- Petrochemical Industry
- Power Plants

Specifications

- **Maximum inlet pressure:** 10000 psi (670 bar)
- **Maximum outlet pressure:** 6000 psi (412 bar)
- **Safety test pressure:** 1.5 x Maximum inlet pressure
- **Temperature range:** -40 to 165°F (-40 to 74°C)
- **Inboard leakage:** 2×10^{-8} atm.cc/sec He
- **Outboard leakage:** 2×10^{-8} atm.cc/sec He
- **Maximum Cv:** 0.06
- **Weight:** 4.85 lb (2.2 kg)

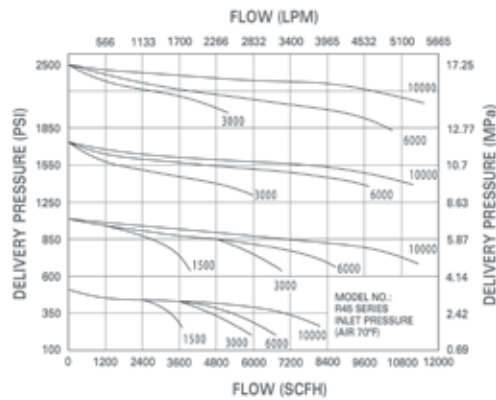
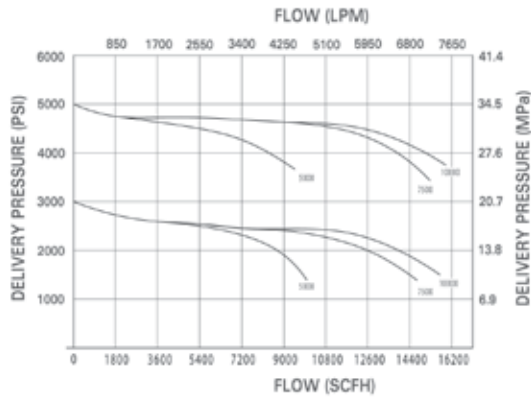
Dimensions



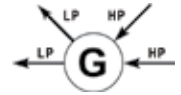
Rear Bracket Mount

Front Panel Mount
Max. Thickness: 1/4" (7mm)

Flow Data



Body Port



Ordering Information

EX:R45SL	G	V -	B	E	K -	00 -	00 -	Options
Series	Body Ports	Seat	Inlet Pressure Ranges	Outlet Pressure Ranges	Gauge	Inlet Connections	Outlet Connections	
• R45SL	G	V: Vespel®	A: 10000 psi (690 bar) B: 6000 psi (414 bar)	B: 0-6000 psi (414 bar) C: 0-4500 psi (310 bar) D: 0-3000 psi (206 bar) E: 0-1500 psi (103 bar)	P: psi / bar K: psi / kPa W: No Gauge	00: 1/4" NPT(F) C347: CGA347 C677: CGA677 C680: CGA680 DN05: DIN477 No.5 BS02: BS341 No.2 Other connections available*	00: 1/4" NPT(F) 01: 1/4" NPT(M) 10: 1/8" GENLOK 11: 1/4" GENLOK 15: 6 mm GENLOK 16: 8 mm GENLOK 14B: 1/4" Hose Barb Other connections available*	Blank: None V: Self relieving (Venting)

*: Please see page 83 for more inlet connection options such as DIN, BSP, CGA, and JIS.