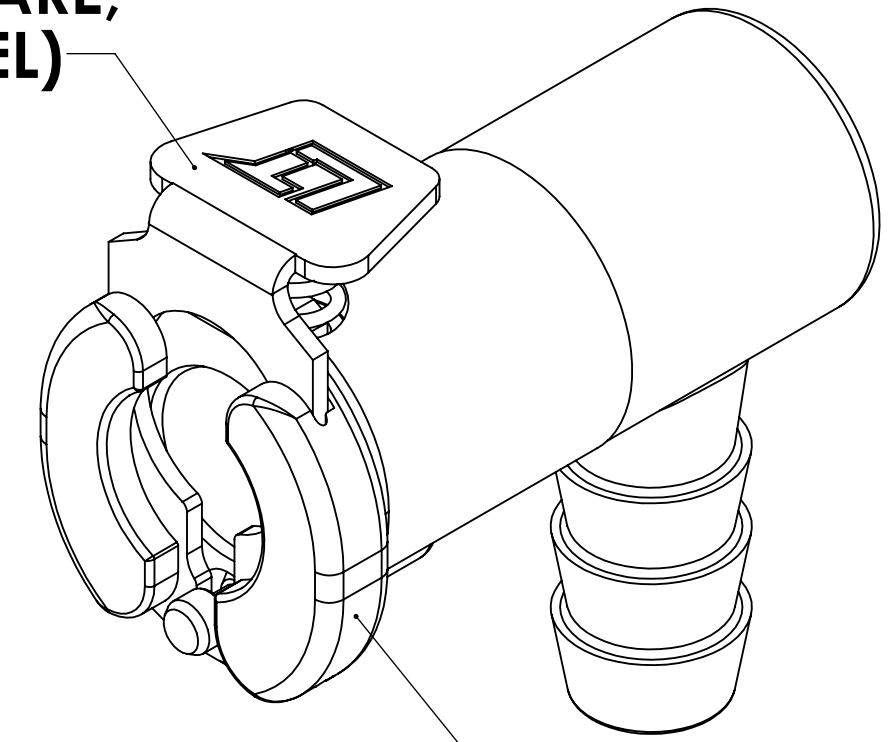
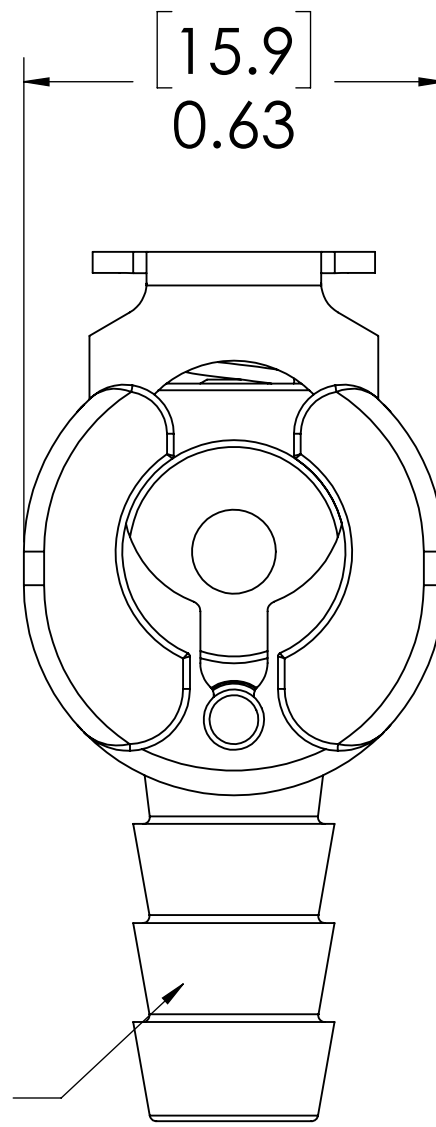


REVISIONS						
SHEET	ZONE	REV.	ECO	DESCRIPTION	DATE	APPROVED
1	ALL	A	50253	UPDATE DWG TO CURRENT FORMAT & STANDARDS	9/21/2018	HRC
1	ALL	B	50242	PIN, PIN SPRING & FORMAT UPDATE	1/24/2019	HRC

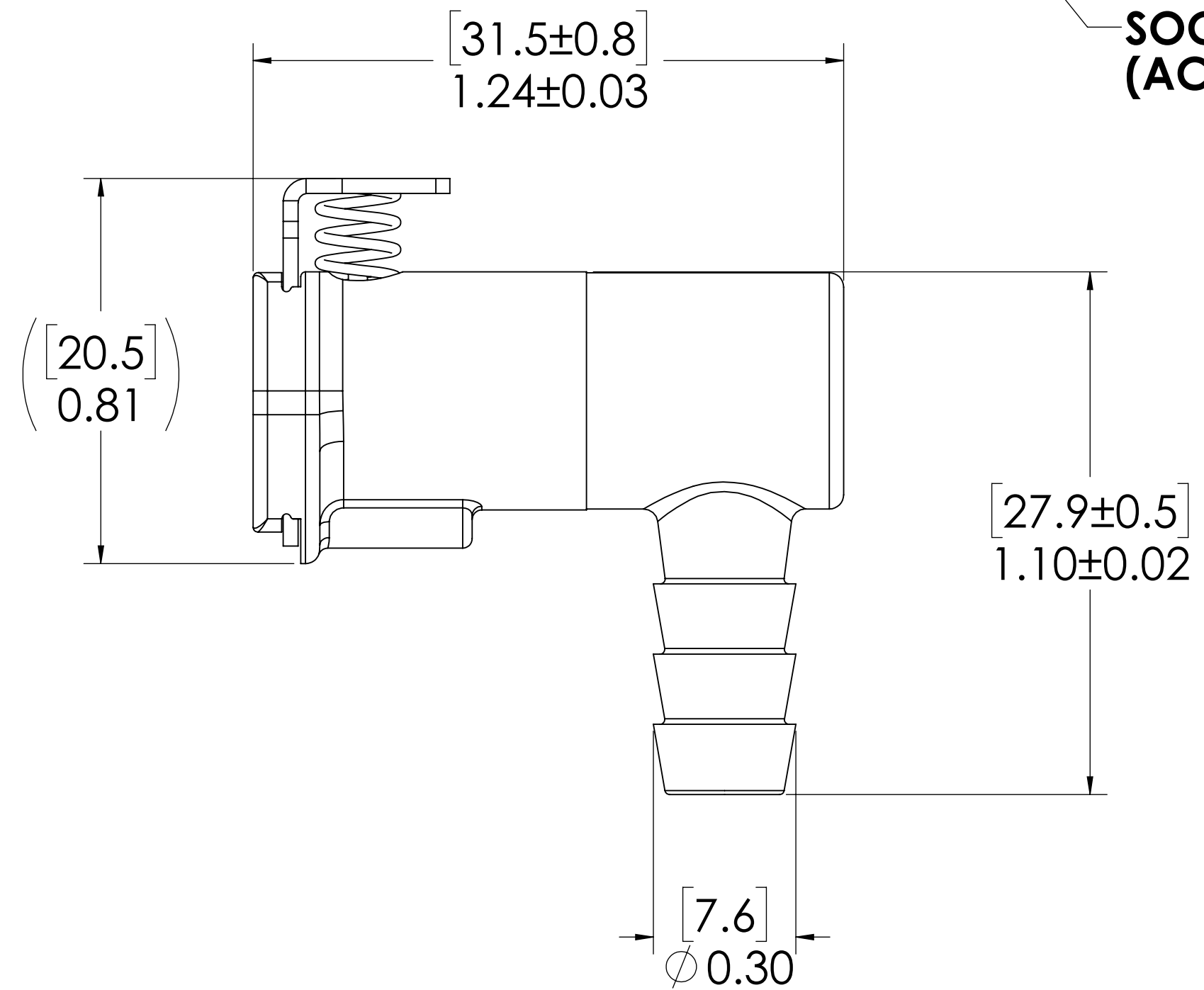
**LATCH HARDWARE,
(STAINLESS STEEL)**



**SOCKET,
(ACETAL)**



1/4" TUBE ID



FOR REFERENCE ONLY

NOTES:

- MATERIAL: ACETAL
- COLOR: NATURAL WHITE

UNLESS OTHERWISE SPECIFIED: DIMENSIONS ARE IN INCHES TOLERANCES: FRACTIONAL ±1/32 ANGULAR: MACH ±0.5 BEND ±2 ONE PLACE DECIMAL ±0.1 TWO PLACE DECIMAL ±0.01 THREE PLACE DECIMAL ±0.005 TWO PLACE DUAL (mm) [±0.12]	DRAWN	ER	10-02-17	LINKTECH AN IRVING-CLOUD COMPANY
	CHECKED	HRC	10-02-17	
PROPRIETARY AND CONFIDENTIAL THE INFORMATION CONTAINED IN THIS DRAWING IS THE SOLE PROPERTY OF LINKTECH LLC. ANY REPRODUCTION OR DISCLOSURE IN PART OR AS A WHOLE WITHOUT THE WRITTEN PERMISSION OF LINKTECH LLC IS STRICTLY PROHIBITED.	ENG APPR.	HRC	9/21/18	PART NO: 20AC-S4-04
	MFG APPR.	BDB	9/21/18	DESCRIPTION: LinkTech 20AC Series Elbow Female, Non-valved, 1/4" HB., Natural Acetal
	PRODUCTION	LS	9/21/18	SIZE DWG. NO. REV C 20AC200154 B
COMMENTS:			SCALE: NTS WEIGHT:	SHEET 1 OF 1