

R44 SERIES

High Pressure Regulator

Solutions for Life



» R44SLGK-BDP-00-00

Applications

- Gas Chromatography
- Research Laboratories
- Petrochemical Industry
- Power Plant

GENTEC® R44 Series High Pressure Stainless Steel Regulator is a piston-sensed single-stage high purity regulator designed for applications where high pressure and low flow control are desired.

Product Features

- Piston-Sensed Configuration
- Inlet & Outlet Port Size: 1/4" NPT(F)
- 2" Pressure Gauge

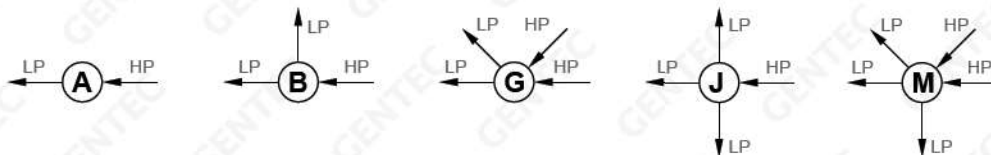
Materials

- **Body:** 316L Stainless Steel
- **Seat:** PCTFE, Vespel®
- **Piston:** 316L Stainless Steel
- **O-ring:** Viton®
- **Bonnet:** 316L Stainless Steel
- **Adjusting Knob:** ABS Plastic

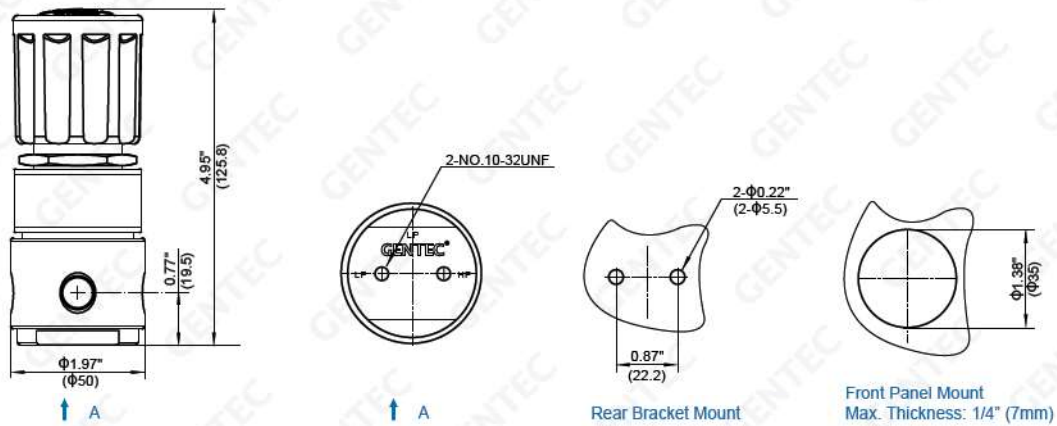
Specifications

- **Maximum inlet pressure:** 6000 psi (412 bar)
- **Maximum outlet pressure:** 3000 psi (206 bar)
- **Safety test pressure:** 1.5 x Maximum inlet pressure
- **Temperature range:** -40 to 165°F (-40 to 74°C)
- **Inboard leakage:** 2×10^{-8} atm.cc/sec He
- **Outboard leakage:** 2×10^{-8} atm.cc/sec He
- **Maximum Cv:** 0.06
- **Weight:** 2.45 lb (1.11 kg)

Body Port

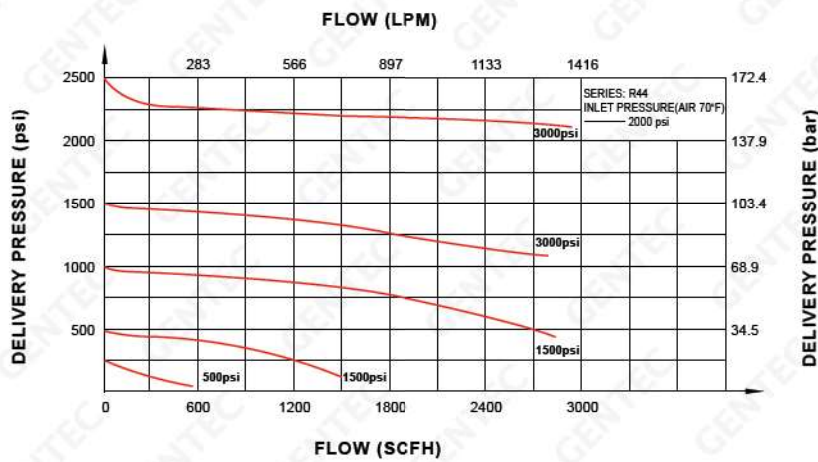


Dimensions



Dimensions: in (mm)

Flow Data



Ordering Information

EX: R44SL	M	K -	B	D	K -	C590 -	11 -	P
Series	Body Ports	Seat	Inlet Pressure Ranges	Outlet Pressure Ranges	Gauge	Inlet Connections	Outlet Connections	Options
• R44SL (316L)	A B G J M	K: PCTFE V: Vespel®	B: 6000 psi (414 bar) C: 4500 psi (310 bar) D: 3000 psi (206 bar)	D: 0-3000 psi (206 bar) E: 0-1500 psi (103 bar) F: 0-500 psi (35 bar) G: 0-250 psi (17 bar)	P: psi / bar K: psi / kPa W: No Gauge	00: 1/4" NPT(F) C350: CGA350 C540: CGA540 C580: CGA580 C590: CGA590 C677: CGA677 C680: CGA680 C695: CGA695 DN05: DIN477 No.5 BS02: BS341 No.2 Other connections available*	00: 1/4" NPT(F) 01: 1/4" NPT(M) 10: 1/8" GENLOK 11: 1/4" GENLOK 15: 6 mm GENLOK 16: 8 mm GENLOK 14B: 1/4" Hose Barb Other connections available*	Blank: None D: Diaphragm Valve N: Needle Valve P: Panel Mount Some valves not available depending on delivery pressures

*: Please see page 83 for more inlet connection options such as DIN, BSP, CGA, and JIS.