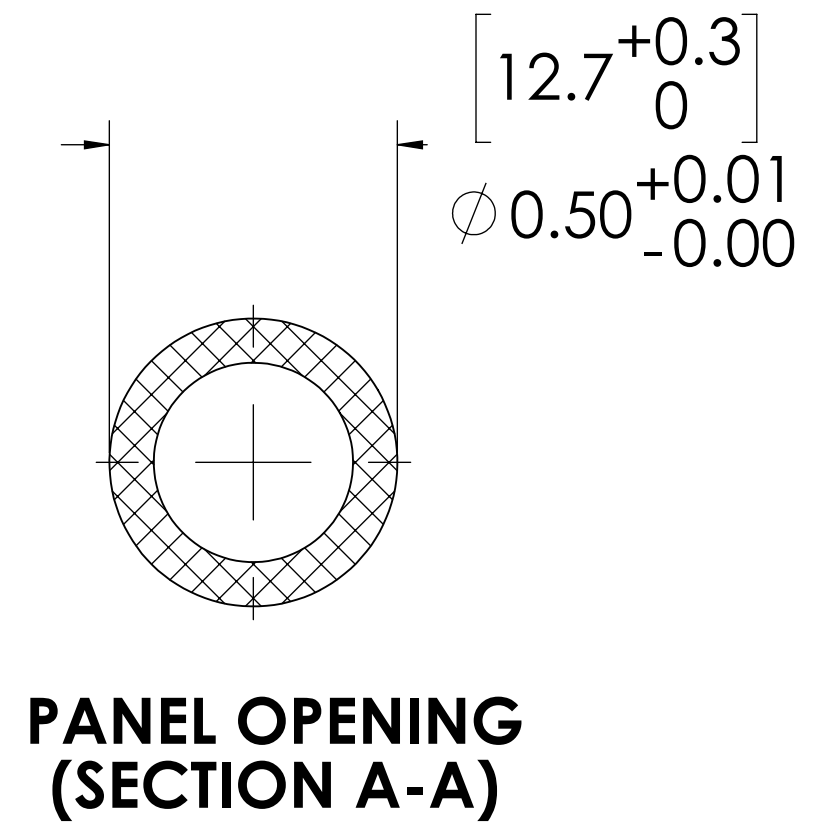
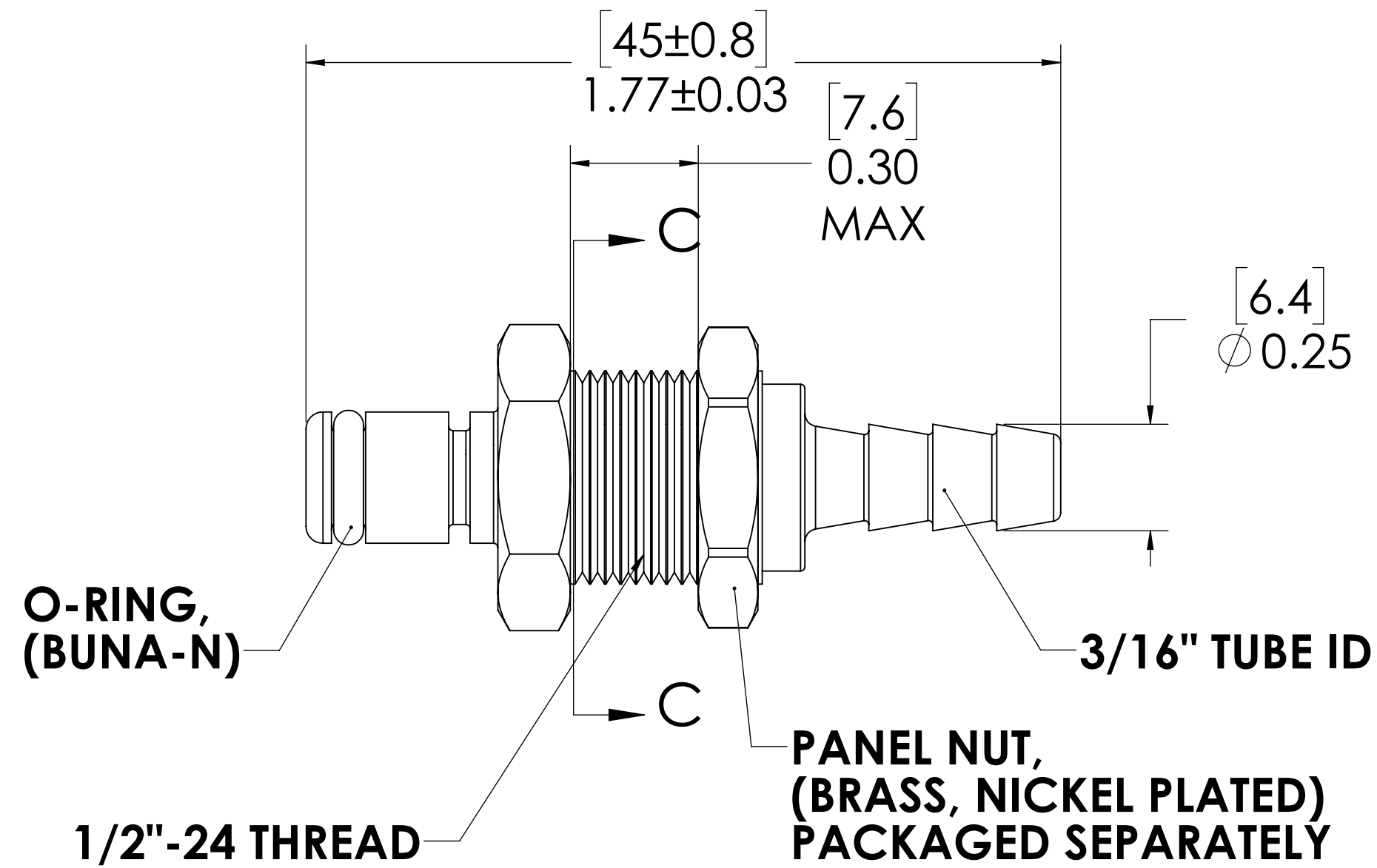
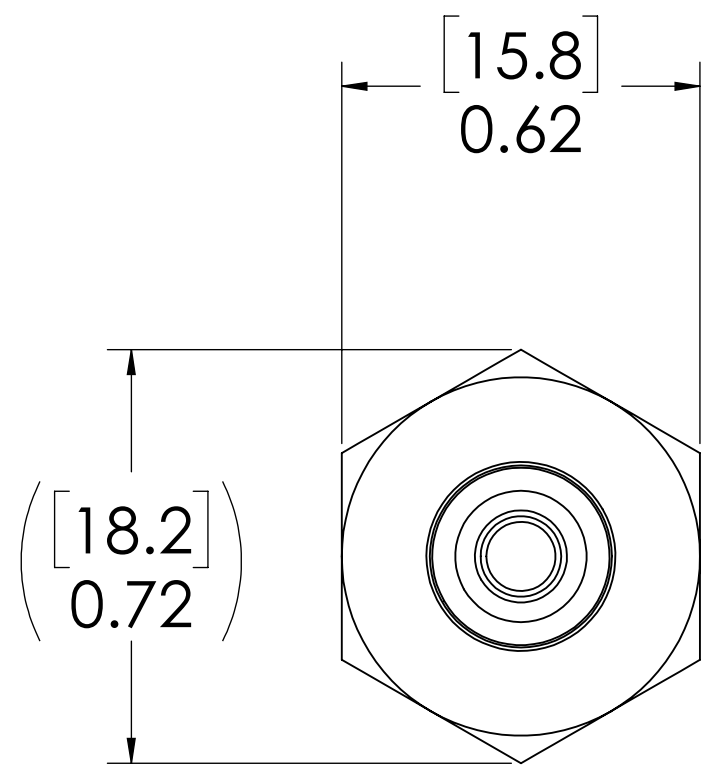
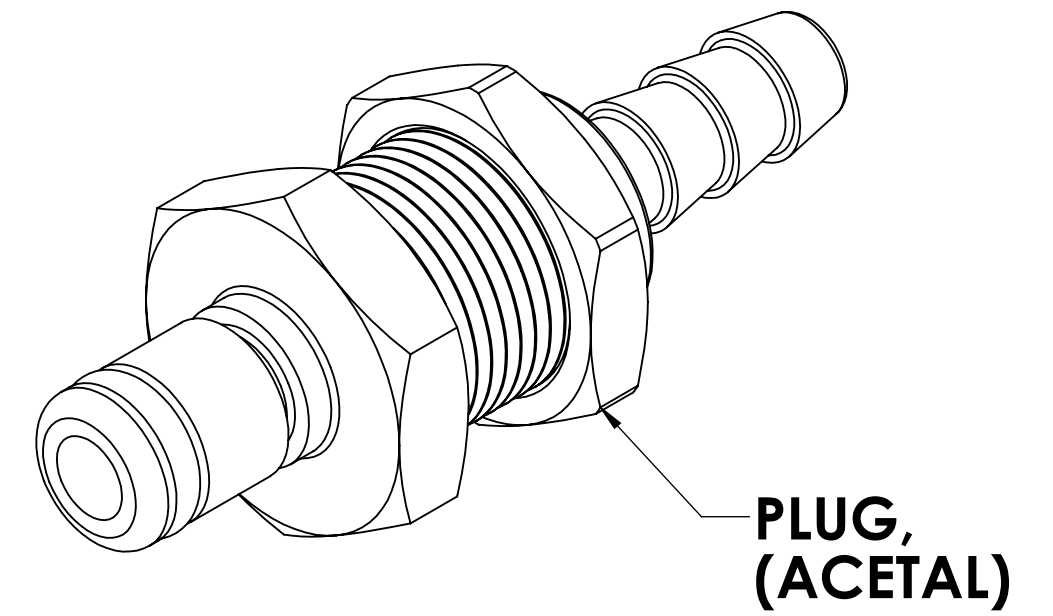


| REVISIONS | | | | | | |
|-----------|------|------|-------|--|-----------|----------|
| SHEET | ZONE | REV. | ECO | DESCRIPTION | DATE | APPROVED |
| 1 | ALL | A | 50253 | UPDATE DWG TO CURRENT FORMAT & STANDARDS | 10/4/2018 | HRC |



NOTES:

1. MATERIAL: ACETAL
2. COLOR: NATURAL WHITE
3. O-RING MATERIAL: BUNA-N
4. O-RINGS LUBRICATED WITH FOOD GRADE SILICONE OIL, 350 CST.

FOR REFERENCE ONLY

| | | | | |
|--|-----------|---------|--------------|--|
| <small>UNLESS OTHERWISE SPECIFIED: DIMENSIONS ARE IN INCHES TOLERANCES: FRACTIONAL ± 1/32 ANGULAR: MACH ± 0.5 BEND ± 2 ONE PLACE DECIMAL ± 0.1 TWO PLACE DECIMAL ± 0.01 THREE PLACE DECIMAL ± 0.005 TWO PLACE DUAL (mm) [± 0.12]</small> | DRAWN | ER | 09-28-17 | |
| | CHECKED | HRC | 09-28-17 | |
| | ENG APPR. | HRC | 10/4/18 | |
| | MFG APPR. | BDB | 10/4/18 | |
| PRODUCTION | LS | 10/4/18 | | PART NO: 20AC-PB3-03 DESCRIPTION: LinkTech 20AC Series Panel Mt. Male, Non-valved, 3/16" HB, Natural Acetal |
| <small>PROPRIETARY AND CONFIDENTIAL THE INFORMATION CONTAINED IN THIS DRAWING IS THE SOLE PROPERTY OF LINKTECH LLC. ANY REPRODUCTION OR DISCLOSURE IN PART OR AS A WHOLE WITHOUT THE WRITTEN PERMISSION OF LINKTECH LLC IS STRICTLY PROHIBITED.</small> | COMMENTS: | | | SIZE DWG. NO. REV C 20AC200352 A |
| SCALE: NTS | | WEIGHT: | SHEET 1 OF 1 | |