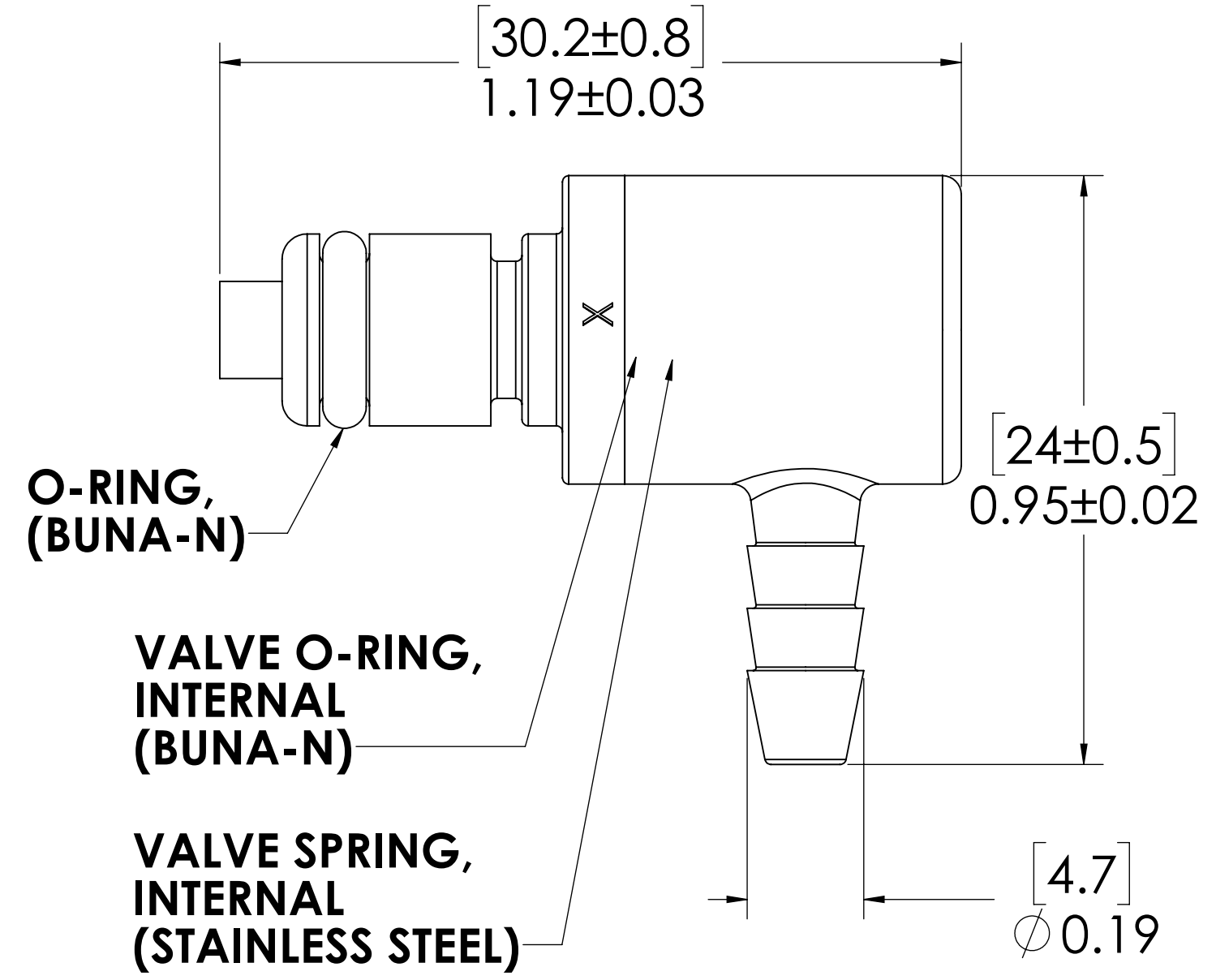
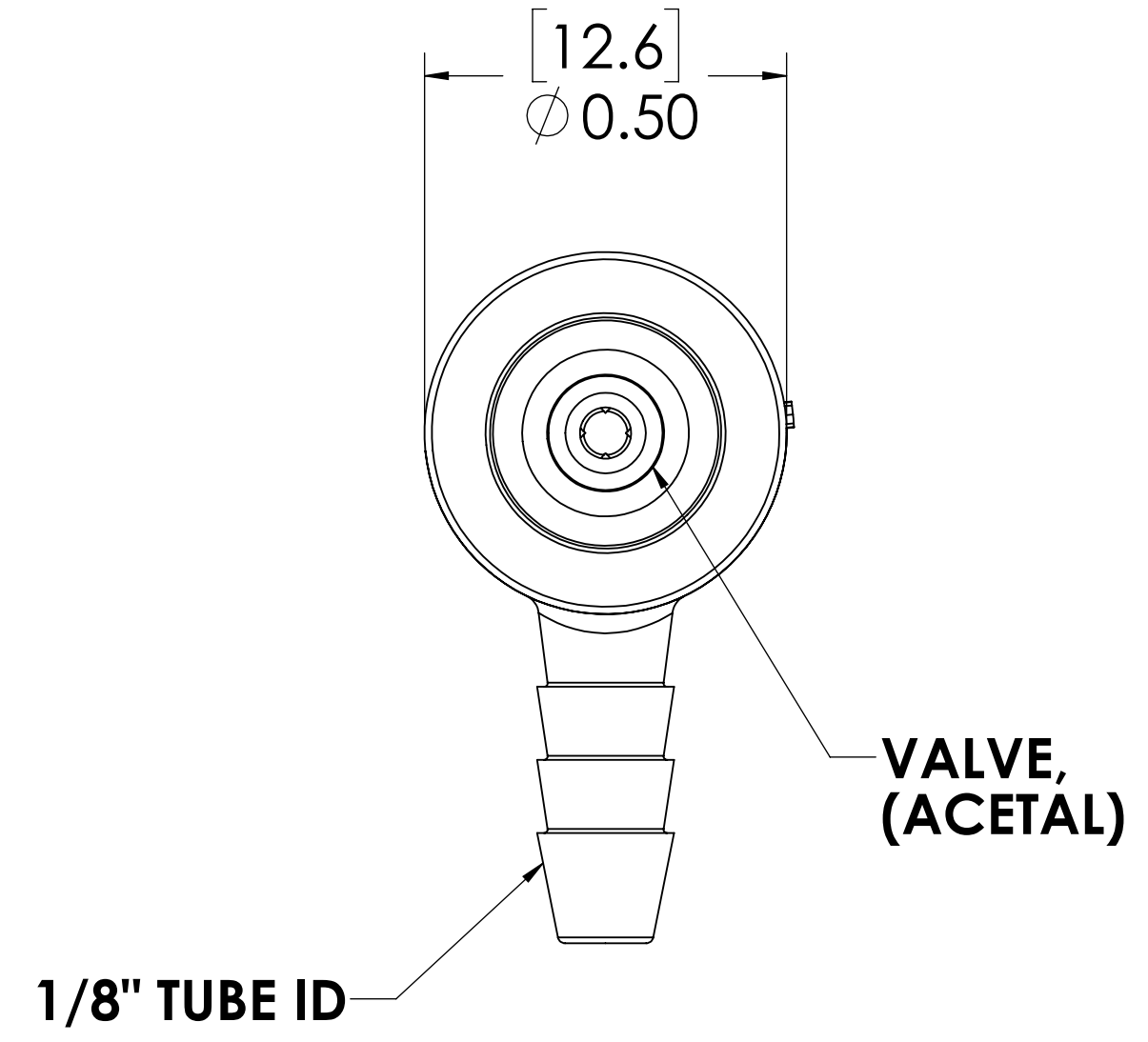
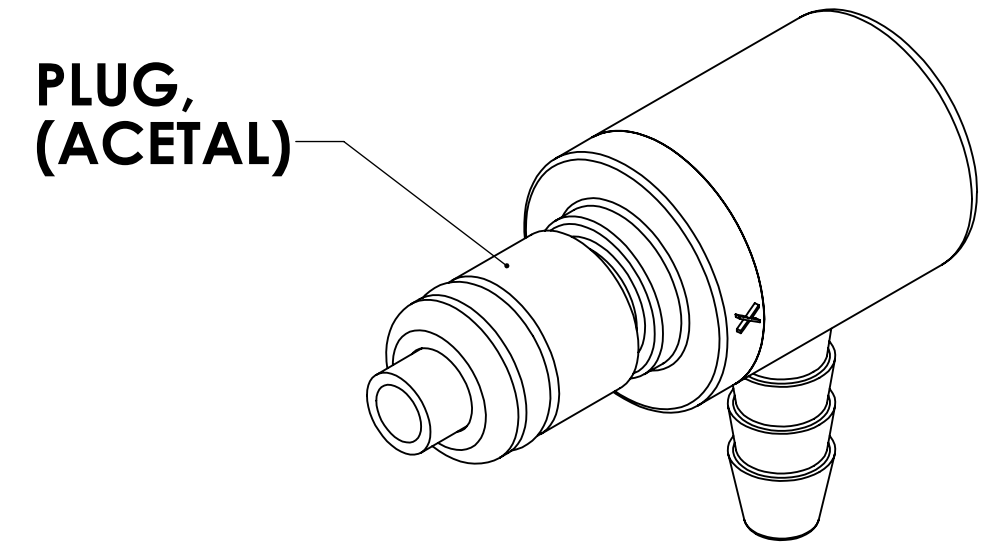



REVISIONS						
SHEET	ZONE	REV.	ECO	DESCRIPTION	DATE	APPROVED
1	ALL	A	50253	UPDATE DWG TO CURRENT FORMAT & STANDARDS	10/4/2018	HRC



- NOTES:**
1. MATERIAL: ACETAL
  2. COLOR: NATURAL WHITE
  3. O-RING MATERIAL: BUNA-N
  4. O-RINGS LUBRICATED WITH FOOD GRADE SILICONE OIL, 350 CST.

**FOR REFERENCE ONLY**

<small>UNLESS OTHERWISE SPECIFIED:  DIMENSIONS ARE IN INCHES  TOLERANCES:  FRACTIONAL ± 1/32  ANGULAR: MACH ± 0.5 BEND ± 2  ONE PLACE DECIMAL ± 0.1  TWO PLACE DECIMAL ± 0.01  THREE PLACE DECIMAL ± 0.005  TWO PLACE DUAL (mm) [± 0.12]</small>	DRAWN	ER	09-21-17	 <b>LinkTech</b> <small>AN ADVANCED COMPANY</small>
	CHECKED	HRC	09-21-17	
	ENG APPR.	HRC	10/4/18	
	MFG APPR.	BDB	10/4/18	
PRODUCTION	LS	10/4/18		PART NO: 20ACV-PB4-02 DESCRIPTION: <b>LinkTech 20AC Series Elbow Male, Valved, 1/8" HB, Natural Acetal</b>
<small>PROPRIETARY AND CONFIDENTIAL  THE INFORMATION CONTAINED IN THIS DRAWING IS THE SOLE PROPERTY OF LINKTECH LLC. ANY REPRODUCTION OR DISCLOSURE IN PART OR AS A WHOLE WITHOUT THE WRITTEN PERMISSION OF LINKTECH LLC IS STRICTLY PROHIBITED.</small>	COMMENTS:			SIZE DWG. NO. REV <b>C 20AC200331 A</b>
	SCALE: NTS		WEIGHT:	SHEET 1 OF 1