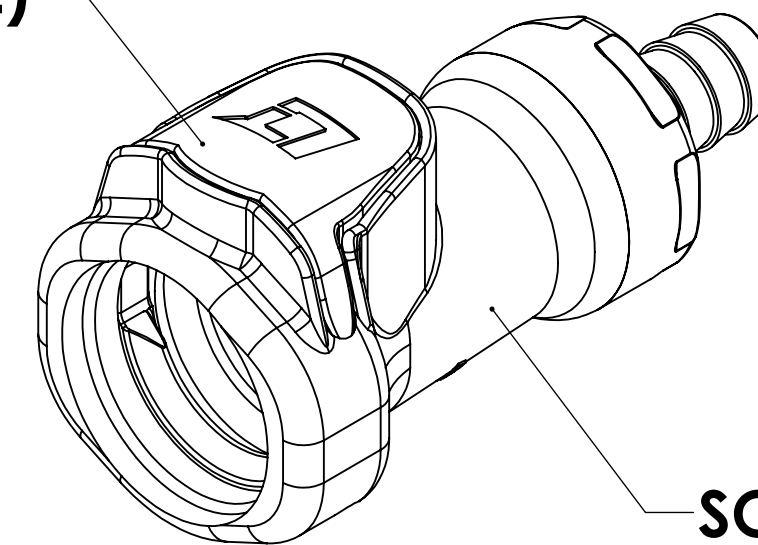


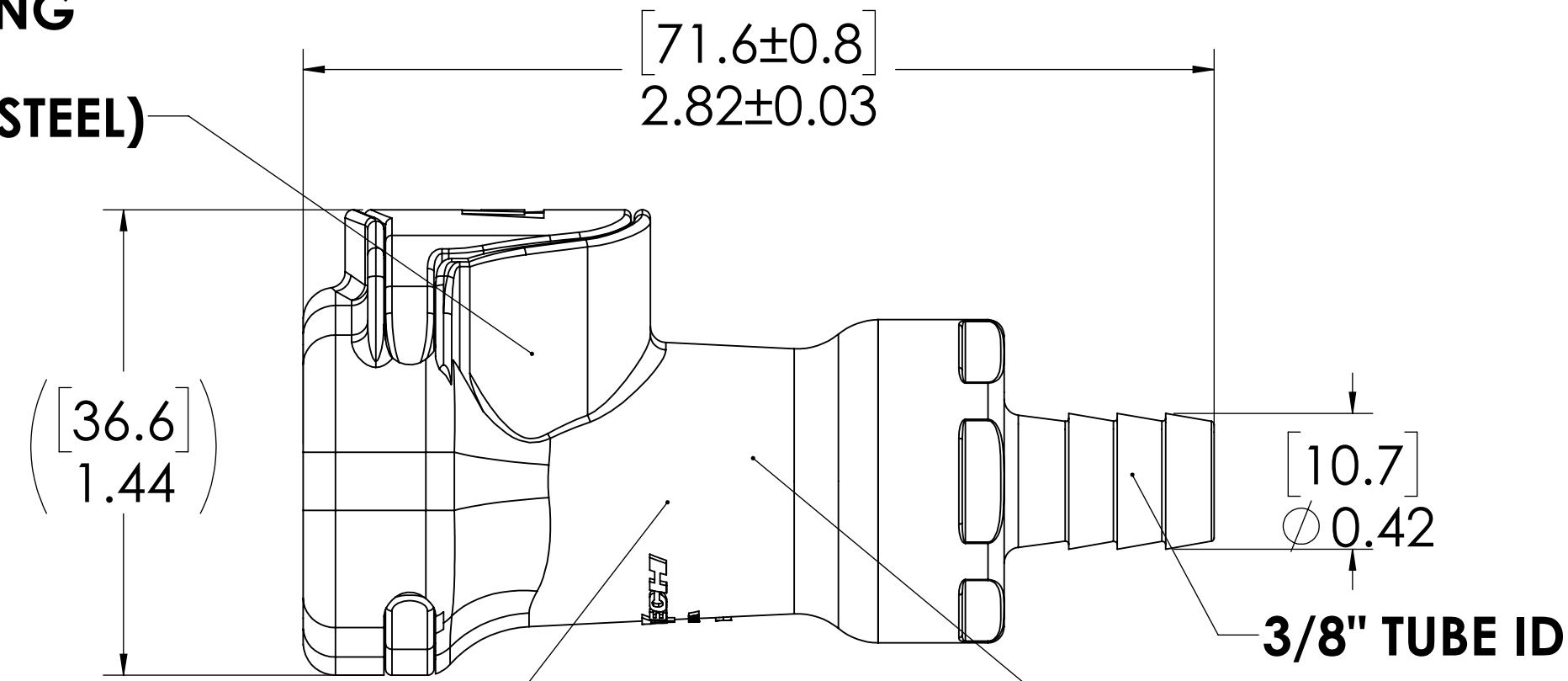
REVISIONS						
SHEET	ZONE	REV.	ECO	DESCRIPTION	DATE	APPROVED
1	D-6	A	UPDATED LATCH SPRING	8/20/2014	HRC
1	ALL	A	50108	INITIAL RELEASE	9/9/2014	HRC
1	ALL	B	50311	UPDATE DWG TO CURRENT FORMAT & STANDARDS	1/17/2020	CKE

**LATCH
(POLYSULFONE)**



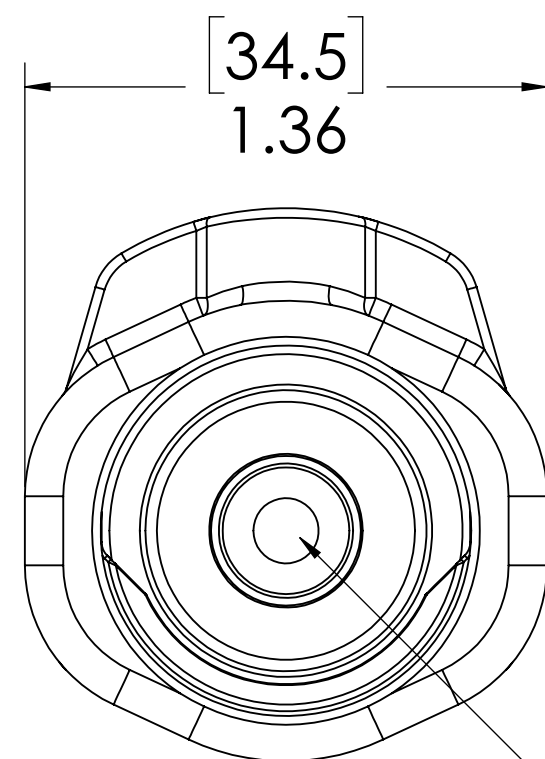
**SOCKET
(POLYSULFONE)**

**LATCH SPRING
INTERNAL
(STAINLESS STEEL)**



**VALVE O-RING,
INTERNAL
(EPDM)**

**VALVE SPRING,
INTERNAL
(STAINLESS STEEL)**




**VALVE,
(POLYSULFONE)**

NOTES:

1. MATERIAL: POLYSULFONE
2. COLOR: WHITE
3. O-RING MATERIAL: PEROXIDE CURED EPDM
4. O-RINGS LUBRICATED WITH FOOD GRADE SILICONE OIL, 350 CST.

FOR REFERENCE ONLY

<small>UNLESS OTHERWISE SPECIFIED: DIMENSIONS ARE IN INCHES TOLERANCES: FRACTIONAL ± 1/32 ANGULAR, MACH ± 0.5 BEND ± 2 ONE PLACE DECIMAL ± 0.1 TWO PLACE DECIMAL ± 0.01 THREE PLACE DECIMAL ± 0.005 TWO PLACE DUAL (mm) [± 0.12]</small>	DRAWN	HRC	09-04-13	 PART NO: 60PSV-SE2-06 DESCRIPTION: LinkTech 60PS Series, Inline Socket, Valved, 3/8" HB
	CHECKED	HRC	09-04-13	
	ENG APPR.	HRC	1/17/20	
	MFG APPR.	BDB	1/17/20	
PRODUCTION	LS	1/17/20		<small>PROPRIETARY AND CONFIDENTIAL</small> <small>THE INFORMATION CONTAINED IN THIS DRAWING IS THE SOLE PROPERTY OF LINKTECH LLC. ANY REPRODUCTION OR DISCLOSURE IN PART OR AS A WHOLE WITHOUT THE WRITTEN PERMISSION OF LINKTECH LLC IS STRICTLY PROHIBITED.</small>
<small>COMMENTS:</small>		<small>SIZE</small> DWG. NO. C 60PS600075 <small>REV</small> B	<small>SCALE: NTS</small> <small>WEIGHT:</small> <small>SHEET 1 OF 1</small>	