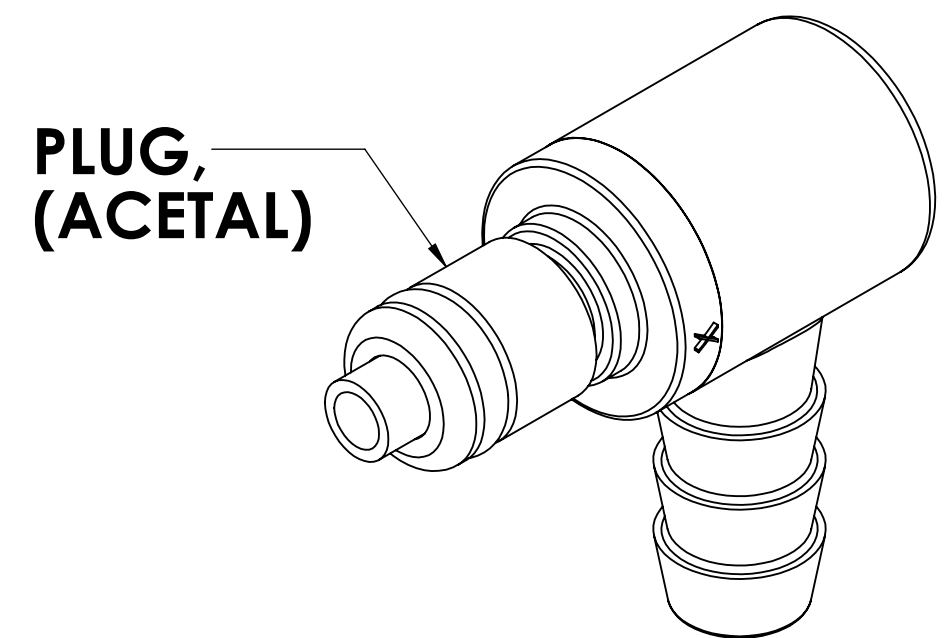
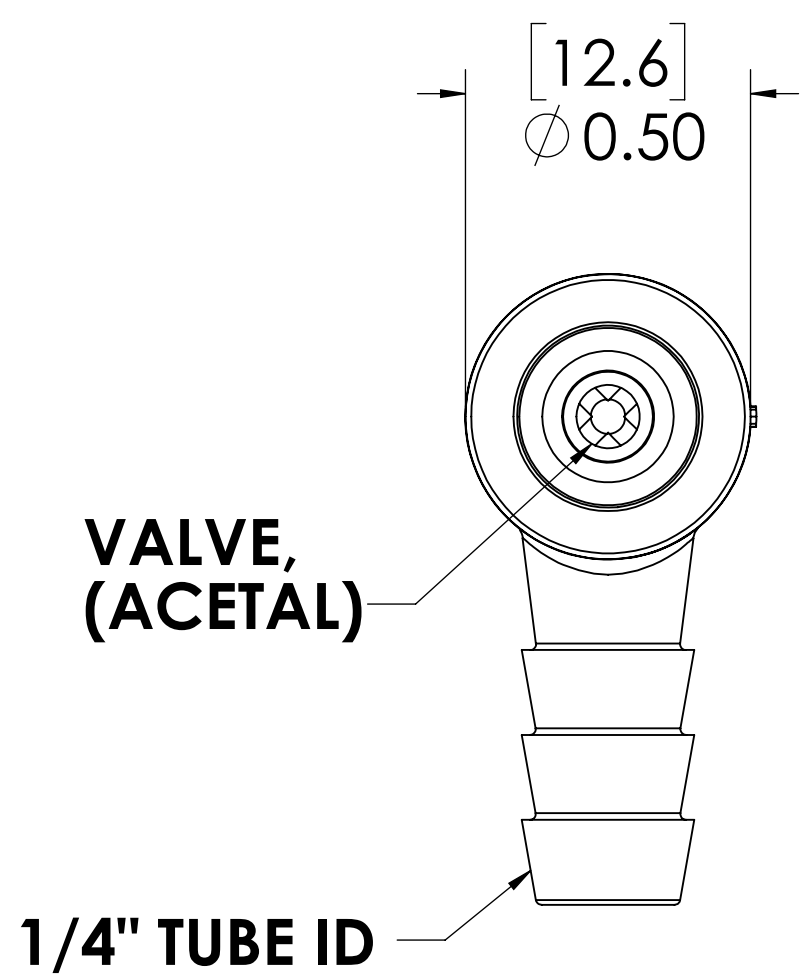


REVISIONS						
SHEET	ZONE	REV.	ECO	DESCRIPTION	DATE	APPROVED
1	ALL	A	50253	2017 FORMAT UPDATE	8/9/18	HRC

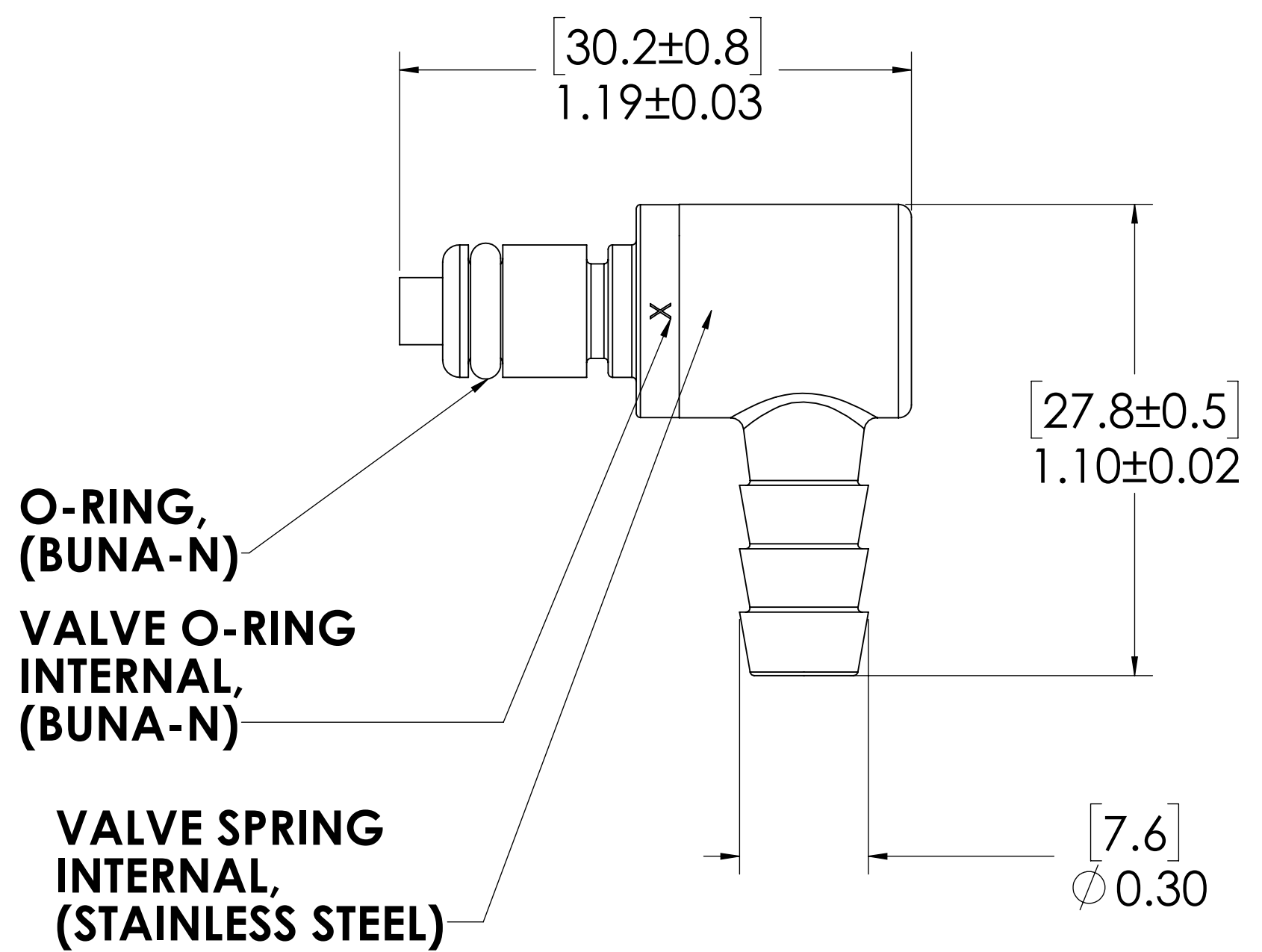


**PLUG,  
(ACETAL)**



**VALVE,  
(ACETAL)**

**1/4" TUBE ID**



**O-RING,  
(BUNA-N)**

**VALVE O-RING  
INTERNAL,  
(BUNA-N)**

**VALVE SPRING  
INTERNAL,  
(STAINLESS STEEL)**

- NOTES:**
- MATERIAL: ACETAL
  - COLOR: NATURAL WHITE
  - O-RING MATERIAL: BUNA-N
  - O-RINGS LUBRICATED WITH FOOD GRADE SILICONE OIL, 350 CST.

**FOR REFERENCE ONLY**

<small>UNLESS OTHERWISE SPECIFIED: DIMENSIONS ARE IN INCHES TOLERANCES: FRACTIONAL ± 1/32 ANGULAR: MACH ± 0.5 BEND ± 2 ONE PLACE DECIMAL ± 0.1 TWO PLACE DECIMAL ± 0.01 THREE PLACE DECIMAL ± 0.005 TWO PLACE DUAL (mm) [± 0.12]</small>	DRAWN	RDA	8/18/2017	
	CHECKED	HRC	8/18/2017	
	ENG APPR.	HRC	8/9/18	
	MFG APPR.	BDB	8/9/18	
<small>PROPRIETARY AND CONFIDENTIAL THE INFORMATION CONTAINED IN THIS DRAWING IS THE SOLE PROPERTY OF LINKTECH LLC. ANY REPRODUCTION OR DISCLOSURE IN PART OR AS A WHOLE WITHOUT THE WRITTEN PERMISSION OF LINKTECH LLC IS STRICTLY PROHIBITED.</small>	Q.A.	JJB	8/9/18	<b>PART NO:</b> 20ACV-PB4-04  <b>DESCRIPTION:</b> <b>LinkTech 20AC Series Elbow Male, Valved, 250 HB, Natural Acetal</b>
	COMMENTS:			<b>SIZE DWG. NO.</b> <b>C 20AC200317</b>
				<b>REV</b> <b>A</b>
SCALE: NTS		WEIGHT:		SHEET 1 OF 1