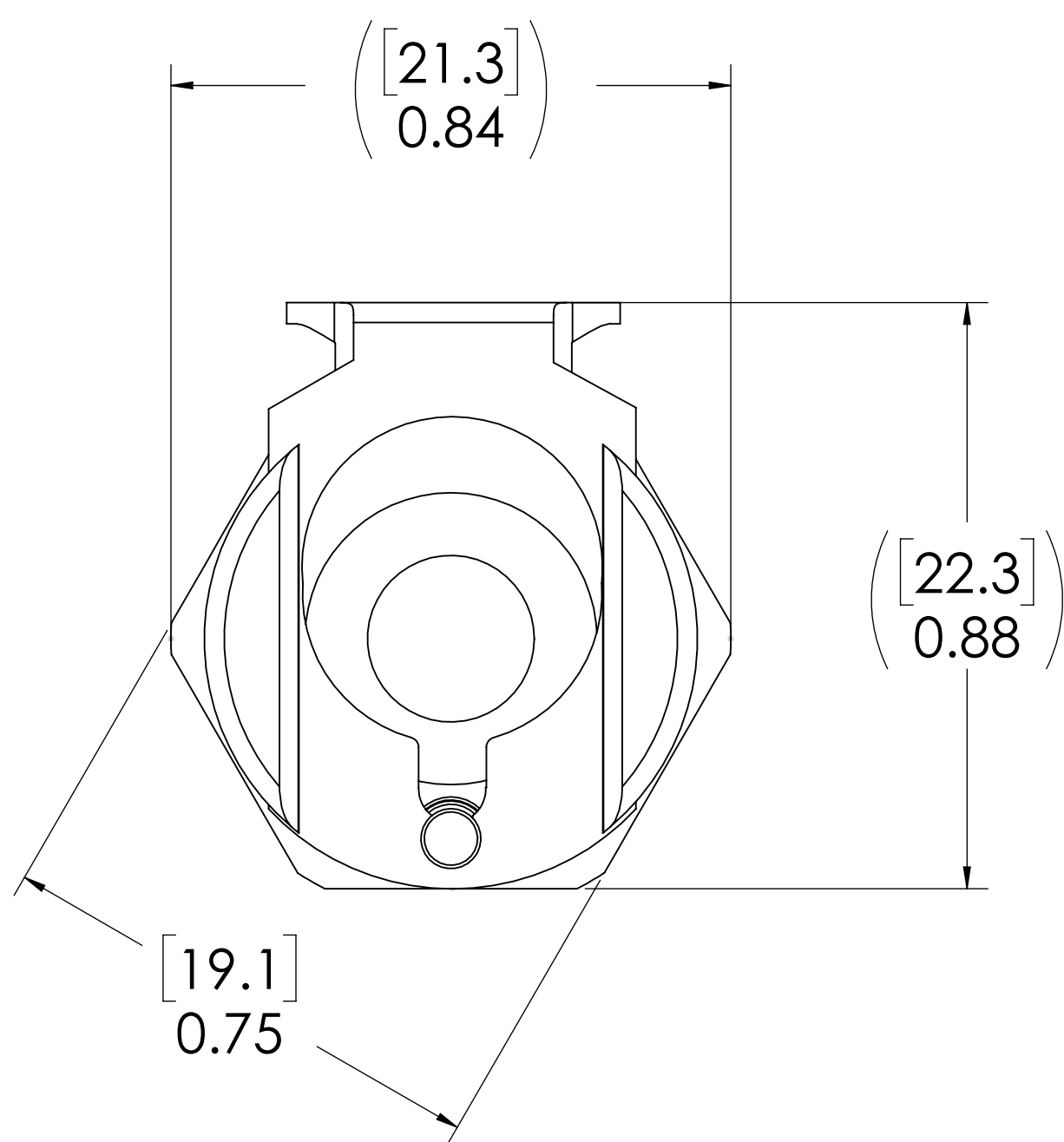
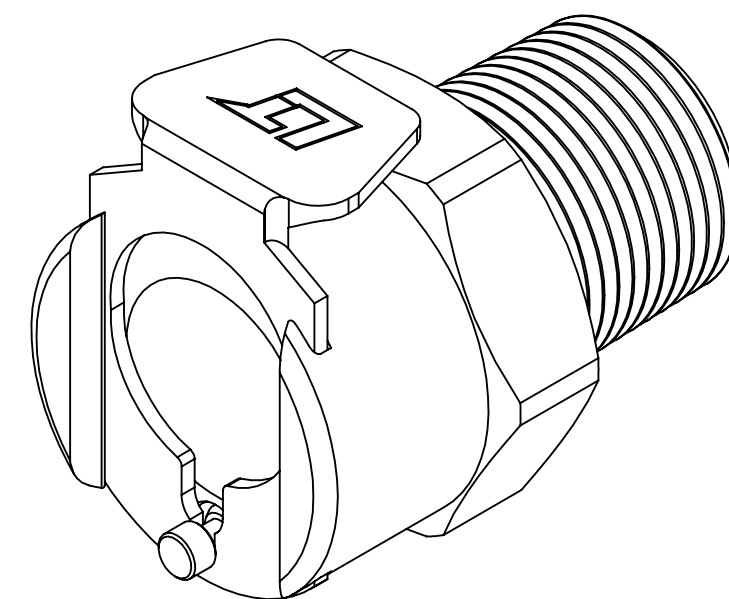
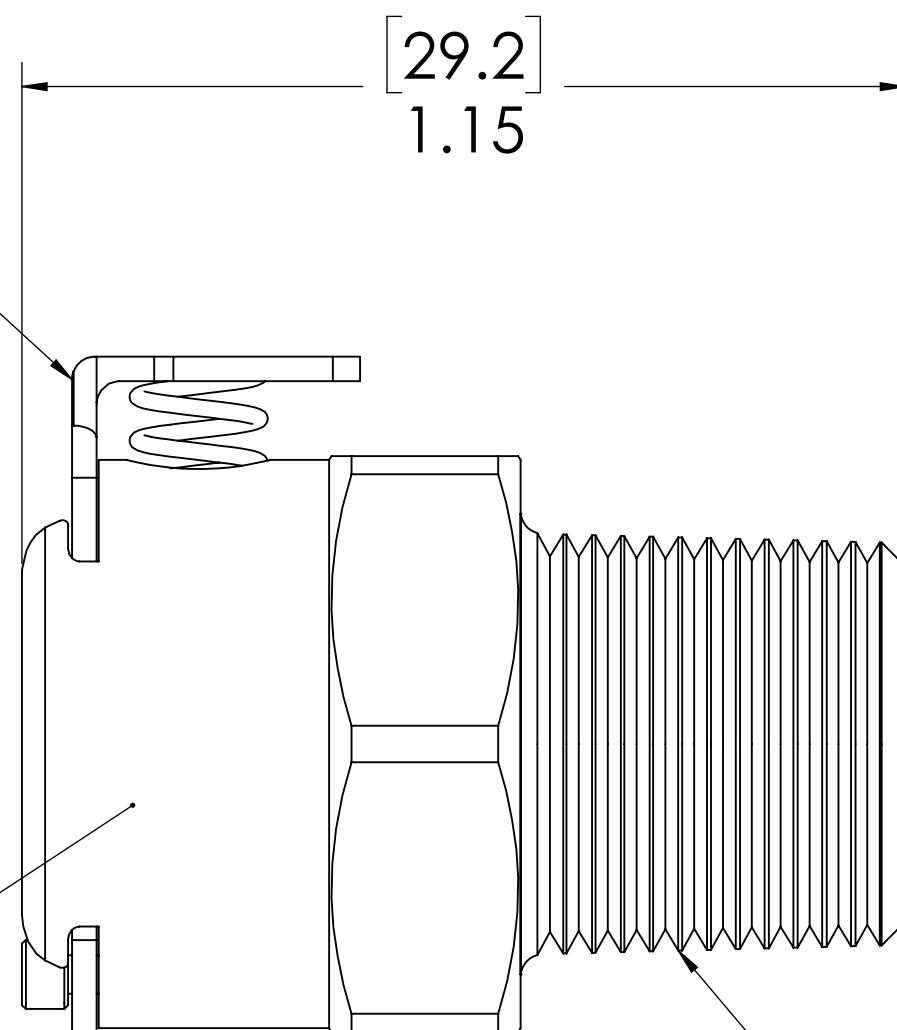


REVISIONS						
SHEET	ZONE	REV.	ECO	DESCRIPTION	DATE	APPROVED
1	ALL	A	50242	PIN, PIN SPRING & 2017 FORMAT UPDATE	6/28/2018	HRC



**LATCH HARDWARE,
(STAINLESS STEEL)**


**SOCKET,
(BRASS, NICKEL
AND CHROME PLATED)**



**1/4" NPT
(PIPE THREAD)**

- NOTES:**
- MATERIAL: BRASS
 - FINISH: CHROME

FOR REFERENCE ONLY

<small>UNLESS OTHERWISE SPECIFIED: DIMENSIONS ARE IN INCHES TOLERANCES: FRACTIONAL ± 1/32 ANGULAR, MACH ± 0.5 BEND ± 2 ONE PLACE DECIMAL ± 0.1 TWO PLACE DECIMAL ± 0.01 THREE PLACE DECIMAL ± 0.005 TWO PLACE DUAL (mm) [± 0.12]</small>	DRAWN	CBH	8/3/2017	 PART NO: 40CB-S1-04 DESCRIPTION: LinkTech 40CB Series Male Thread Female, Non-valved, 1/4" MNPT, Chrome Brass
	CHECKED	HRC	8/3/17	
	ENG APPR.	HRC	6/28/18	
	MFG APPR.	BDB	6/28/18	
PRODUCTION	LS	6/28/18		<small>SIZE DWG. NO. REV</small> C 40CB400045 A
<small>PROPRIETARY AND CONFIDENTIAL</small> <small>THE INFORMATION CONTAINED IN THIS DRAWING IS THE SOLE PROPERTY OF LINKTECH LLC. ANY REPRODUCTION OR DISCLOSURE IN PART OR AS A WHOLE WITHOUT THE WRITTEN PERMISSION OF LINKTECH LLC IS STRICTLY PROHIBITED.</small>			<small>COMMENTS:</small>	<small>SCALE: NTS WEIGHT: SHEET 1 OF 1</small>