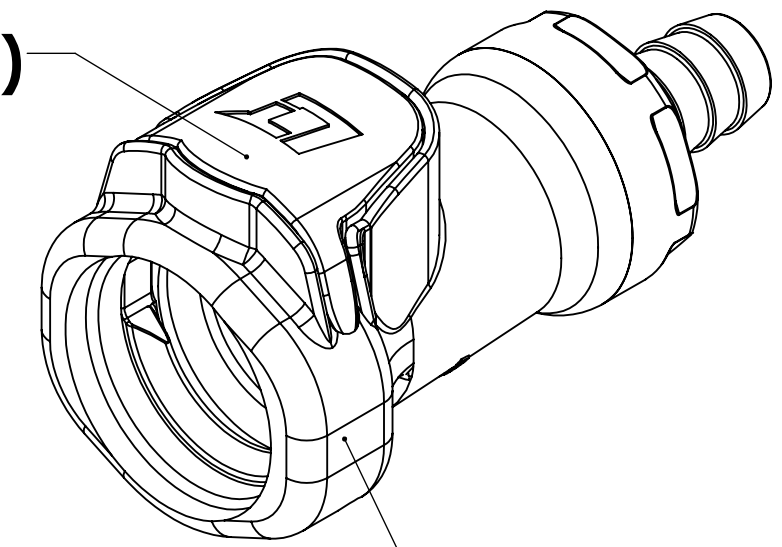
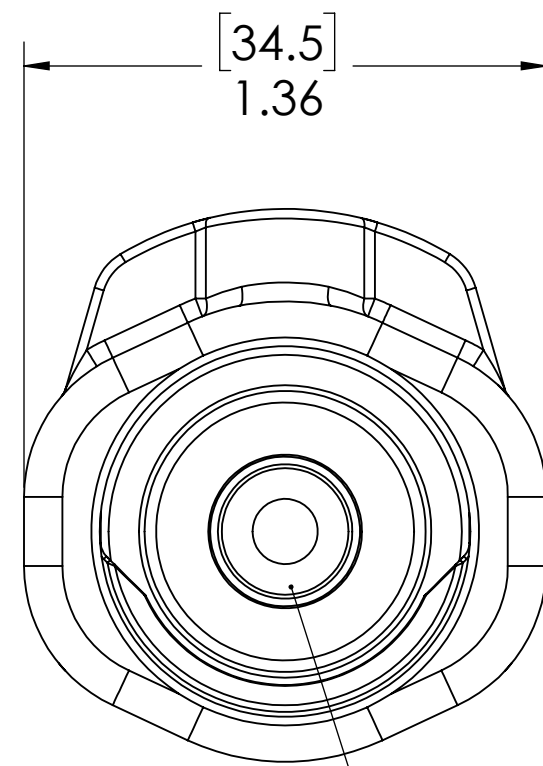


REVISIONS						
SHEET	ZONE	REV.	ECO	DESCRIPTION	DATE	APPROVED
1	A-8	A	ADDED O-RING LUBRICATION NOTE	6/20/2014	HRC
1	C-7	A	UPDATED LATCH SPRING	6/20/2014	HRC
1	ALL	A	50093	INITIAL RELEASE	9/10/2014	HRC
ALL	ALL	B	50253	2017 FORMAT UPDATE	3/8/2018	HRC

**LATCH,
(POLYPROPYLENE)**

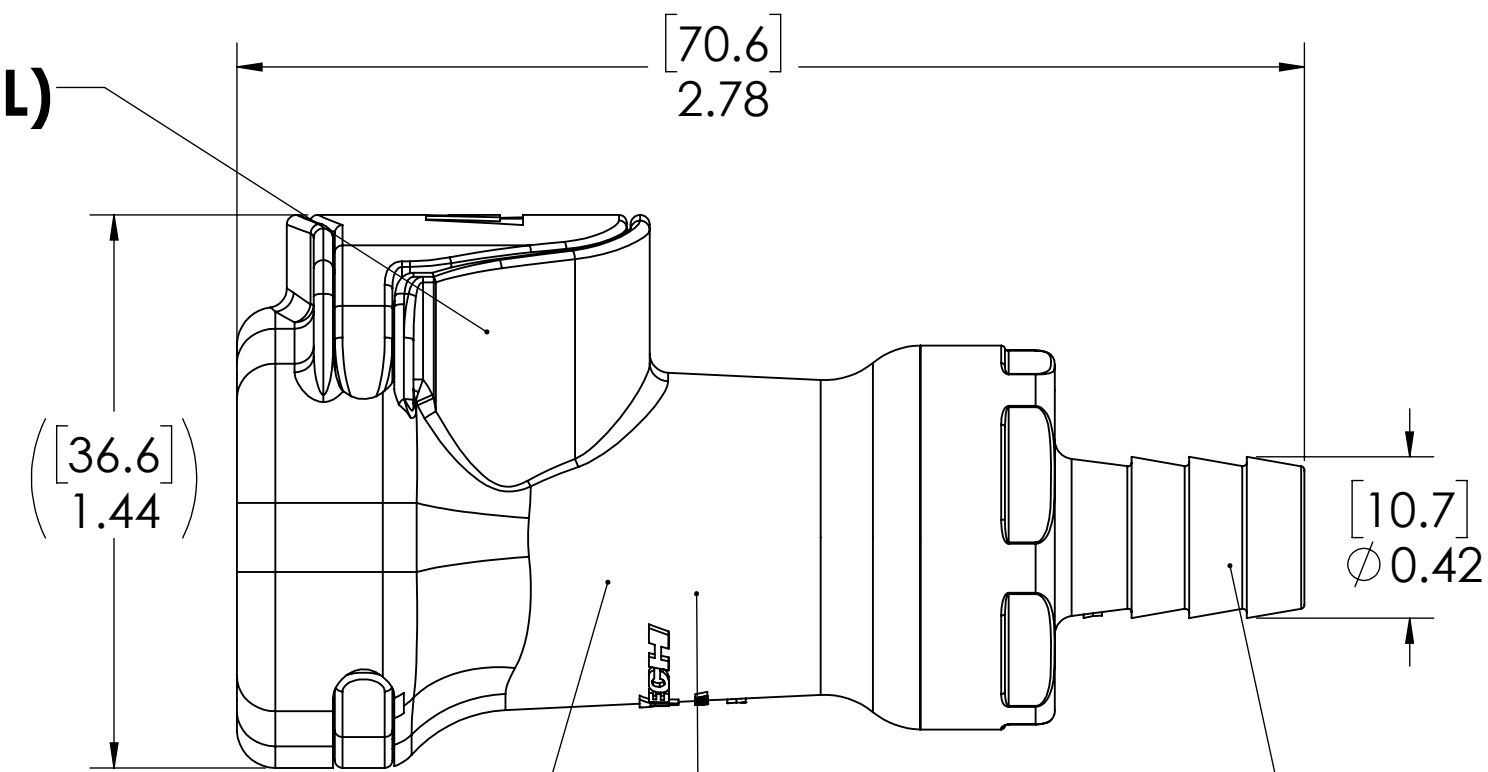


**SOCKET,
(POLYPROPYLENE)**



**VALVE,
(POLYPROPYLENE)**

**LATCH SPRING,
(STAINLESS STEEL)**



**VALVE O-RING,
INTERNAL
(EPDM)**

**VALVE SPRING,
INTERNAL
(STAINLESS STEEL)**

3/8" TUBE ID

NOTES:

1. MATERIAL: POLYPROPYLENE
2. COLOR: GREY
3. O-RING MATERIAL: EPDM
4. O-RINGS LUBRICATED WITH FOOD GRADE SILICONE OIL, 350 CST.

FOR REFERENCE ONLY

<small>UNLESS OTHERWISE SPECIFIED: DIMENSIONS ARE IN INCHES TOLERANCES: FRACTIONAL ± 1/32 ANGULAR: MACH ± 0.5 BEND ± 2 ONE PLACE DECIMAL ± 0.1 TWO PLACE DECIMAL ± 0.01 THREE PLACE DECIMAL ± 0.005 TWO PLACE DUAL (mm) [± 0.12]</small>	DRAWN	HRC	8/26/2013	
	CHECKED	HRC	8/26/2013	
	ENG APPR.	HRC	03-08-18	
	MFG APPR.	BDB	03-08-18	
PRODUCTION	RK	03-08-18		PART NO: 60PPV-SE2-06 DESCRIPTION: LinkTech 60PP Series Straight Female, Valved, 375 HB, Polypropylene
<small>PROPRIETARY AND CONFIDENTIAL THE INFORMATION CONTAINED IN THIS DRAWING IS THE SOLE PROPERTY OF LINKTECH LLC. ANY REPRODUCTION OR DISCLOSURE IN PART OR AS A WHOLE WITHOUT THE WRITTEN PERMISSION OF LINKTECH LLC IS STRICTLY PROHIBITED.</small>	COMMENTS:			SIZE DWG. NO. REV C 60PP600075 B
SCALE: NTS		WEIGHT:	SHEET 1 OF 1	