

# R21 SERIES

Low Flow Regulator

Solutions for Life

GENTEC® R21 Series Regulator is a diaphragm-sensed single-stage high purity regulator.

## Product Features

- Single-Stage Configuration
- Metal-to-Metal Seal
- Inlet & Outlet Port Size: 1/4" NPT(F)
- 2" Pressure Gauge

## Materials

- **Body:** 316L Stainless Steel, Nickel-Plated Brass
- **Seat:** PCTFE, PTFE, Vespel®
- **Diaphragm:** 316L Stainless Steel, Hastelloy®
- **Stem:** 316L Stainless Steel
- **Spring:** 316L Stainless Steel

## Specifications

- **Maximum inlet pressure:** 4500 psi (310 bar)
- **Maximum outlet pressure:** 500 psi (35 bar)
- **Safety test pressure:** 1.5 x Maximum inlet pressure
- **Temperature range:** -40 to 165°F (-40 to 74°C)
- **Inboard leakage:**  $2 \times 10^{-8}$  atm.cc/sec He
- **Outboard leakage:**  $2 \times 10^{-8}$  atm.cc/sec He
- **Maximum Cv:** 0.14
- **Weight:** 2.0 lb (0.9 kg)

## Applications

- Semiconductor Industry
- Research Laboratories
- Process Analyzer
- Gas Chromatography
- Petrochemical Industry
- Power Plants

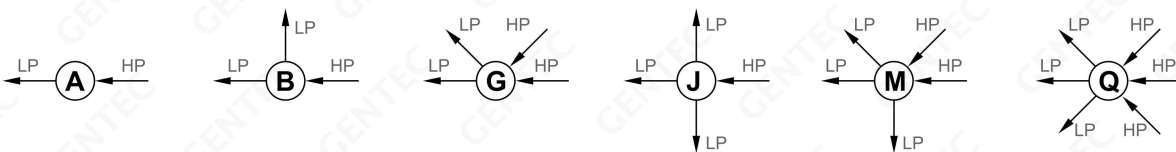


» R21SLMK-DIK-C580-11-D

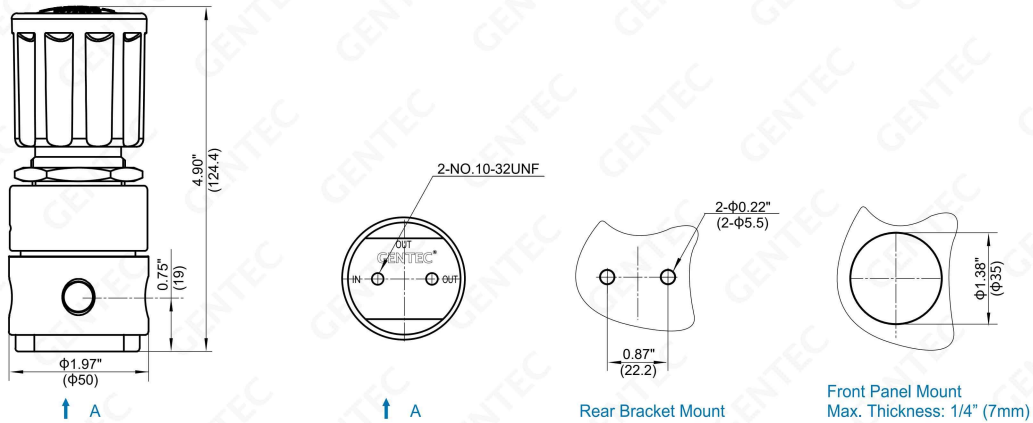


» R21SLJT-FIK-11-11

## Body Port

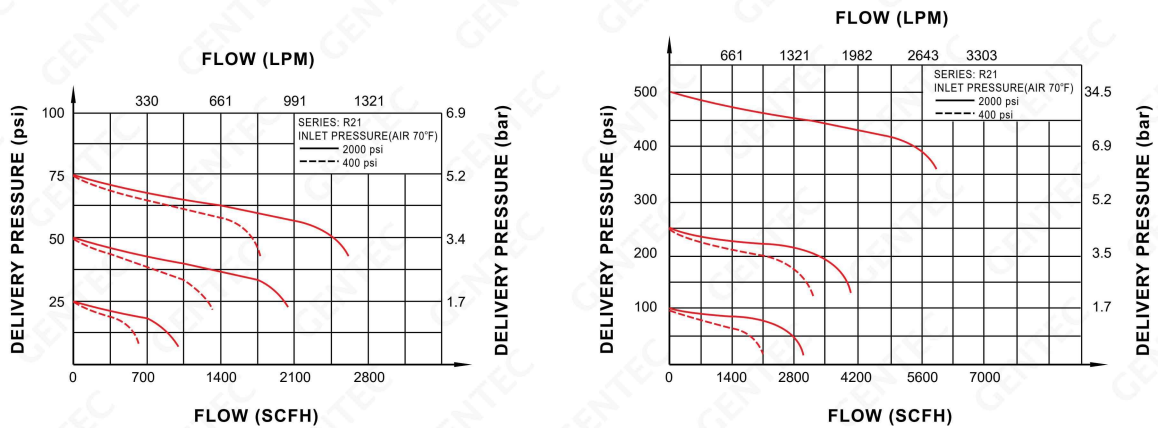


## Dimensions



Dimensions: in (mm)

## Flow Data



## Ordering Information

EX: R21SL	M	K -	D	I	K -	C580 -	11 -	D
Series	Body Ports	Seat	Inlet Pressure Range	Outlet Pressure Ranges	Gauge	Inlet Connections	Outlet Connections	Options
• R21B (Brass)	A	K: PCTFE	C: 4500 psi	F: 0-500 psi (35 bar)	P: psi / bar	00: 1/4" NPT(F)	00: 1/4" NPT(F)	D: Diaphragm Valve
	B	T: PTFE	(310 bar)	G: 0-250 psi (17 bar)	K: psi / kPa	C346: CGA346	01: 1/4" NPT(M)	N: Needle Valve
	G	V: Vespel®	D: 3000 psi	H: 0-150 psi (10 bar)	W: No Gauge	C320: CGA320	10: 1/8" GENLOK	R: Relief Valve
• R21SL (316L)	J		(206 bar)	I: 0-100 psi (7 bar)		C350: CGA350	11: 1/4" GENLOK	H: Hastelloy® Diaphragm
	M		E: 1500 psi	K: 0-50 psi (3 bar)		C510: CGA510	15: 6 mm GENLOK	
	Q		(103 bar)	L: 0-25 psi (1.5 bar)		C540: CGA540	16: 8 mm GENLOK	
			F: 500 psi	Q: 30" Hg Vac-30 psi		C580: CGA580	Other connections available*	
			(35 bar)	(2 bar)		C590: CGA590		
				S: 30" Hg Vac-100 psi		C326: CGA326		
				(7 bar)		DN05: DIN477 No.5		
				T: 30" Hg Vac-200 psi		BS02: BS341 No.2		
				(14 bar)		Other connections available*		

\*: Please see page 83 for more inlet connection options such as DIN, BSP, CGA, and JIS.