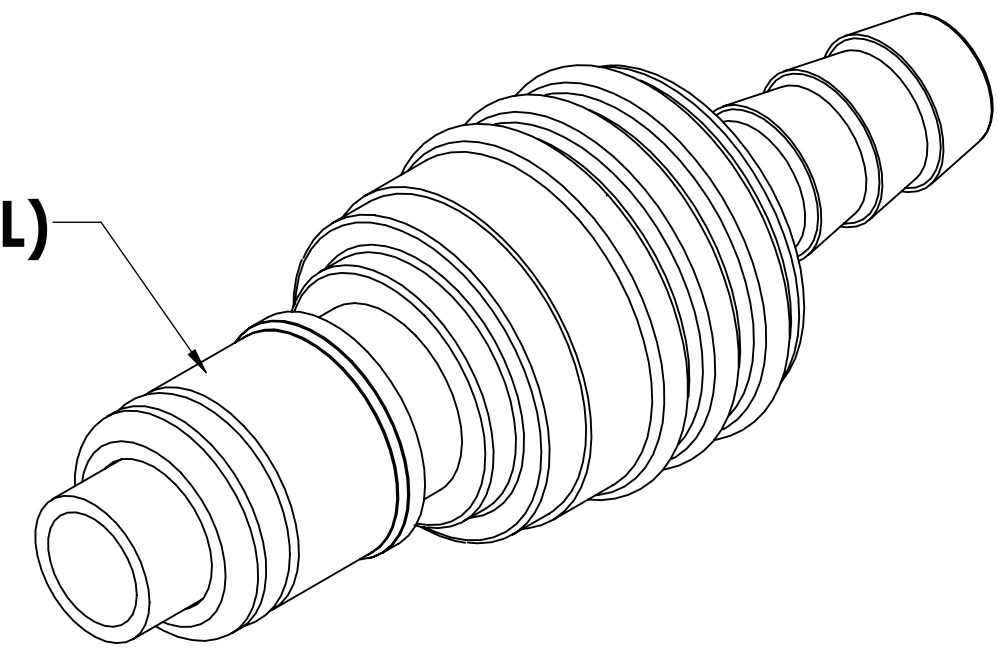
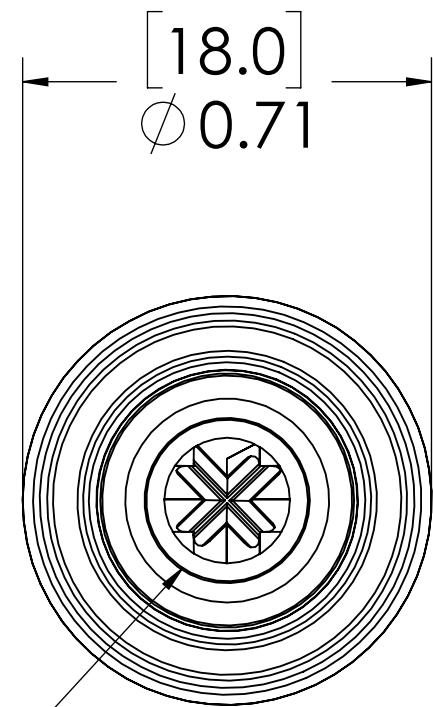


REVISIONS						
SHEET	ZONE	REV.	ECO	DESCRIPTION	DATE	APPROVED
1	ALL	A	50253	DWG FORMAT UPDATE	8/2/2018	HRC

**PLUG,
(ACETAL)**



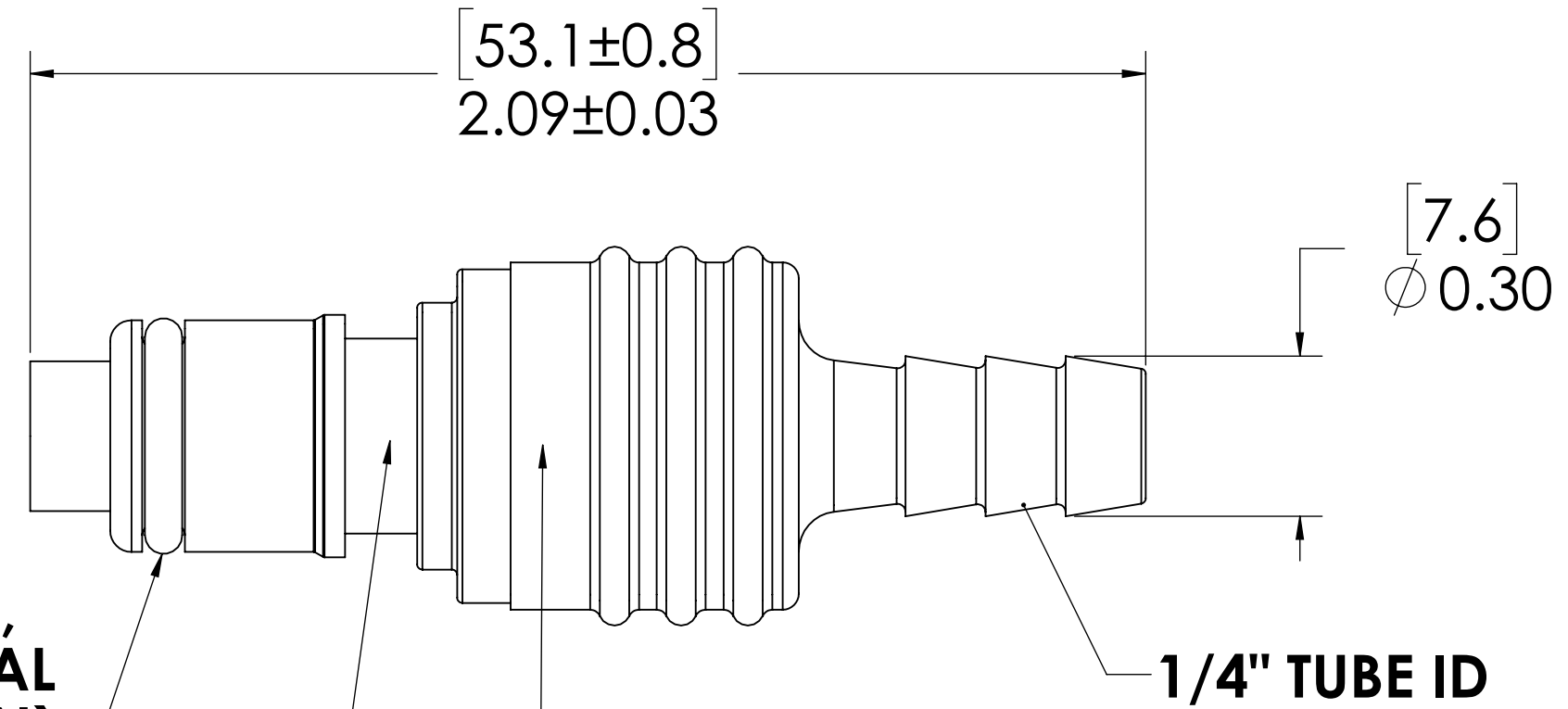
**VALVE,
(ACETAL)**



**O-RING,
EXTERNAL
(BUNA-N)**

**VALVE SPRING,
INTERNAL
(STAINLESS STEEL)**


**VALVE O-RING,
INTERNAL
(BUNA-N)**



NOTES:

1. MATERIAL: ACETAL
2. COLOR: NATURAL WHITE
3. O-RING MATERIAL: BUNA-N
4. O-RINGS LUBRICATED WITH FOOD GRADE SILICONE OIL, 350 CST.

FOR REFERENCE ONLY

<small>UNLESS OTHERWISE SPECIFIED: DIMENSIONS ARE IN INCHES TOLERANCES: FRACTIONAL ± 1/32 ANGULAR, MACH ± 0.5 BEND ± 2 ONE PLACE DECIMAL ± 0.1 TWO PLACE DECIMAL ± 0.01 THREE PLACE DECIMAL ± 0.005 TWO PLACE DUAL (mm) [± 0.12]</small>	DRAWN	CBH	8/1/2017	 PART NO: 50ACV-PB2-04 DESCRIPTION: LinkTech 50AC Series Straight Male, Valved, 1/4" HB, Natural Acetal						
	CHECKED	HRC	8/1/2017							
	ENG APPR.	HRC	8/2/18							
	MFG APPR.	BDB	8/2/18							
PRODUCTION	LS	8/2/18	COMMENTS:							
<small>PROPRIETARY AND CONFIDENTIAL THE INFORMATION CONTAINED IN THIS DRAWING IS THE SOLE PROPERTY OF LINKTECH LLC. ANY REPRODUCTION OR DISCLOSURE IN PART OR AS A WHOLE WITHOUT THE WRITTEN PERMISSION OF LINKTECH LLC IS STRICTLY PROHIBITED.</small>				<table border="1"> <tr> <td>SIZE</td> <td>DWG. NO.</td> <td>REV</td> </tr> <tr> <td>C</td> <td>50AC500078</td> <td>A</td> </tr> </table>	SIZE	DWG. NO.	REV	C	50AC500078	A
SIZE	DWG. NO.	REV								
C	50AC500078	A								
SCALE: NTS WEIGHT:			SHEET 1 OF 1							