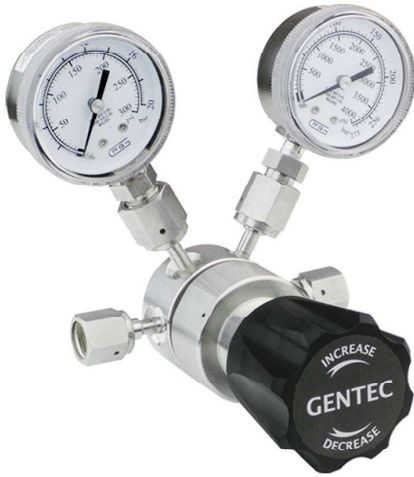


# U21SL SERIES

Ultra High Purity Medium Flow Regulator

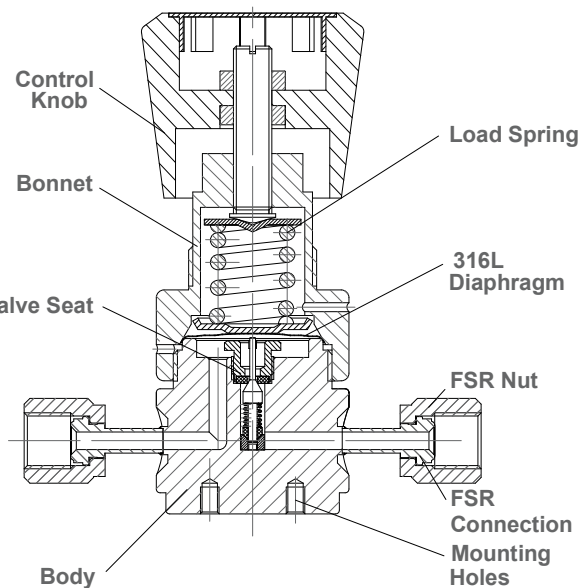
Specialty Gas Equipment



## » U21SLGK-DGK-91-91-P

### Materials

- Body 316L Stainless Steel
- Poppet 316 Stainless Steel
- Seat PCTFE
- Diaphragm 316L Stainless Steel
- Adjusting Knob ABS Plastic



GENTEC® U21SL Series Single-Stage Stainless Steel Regulator is a hand adjustable, pressure reducing regulator designed for non-corrosive, corrosive, and toxic gas applications. Our metal-to-metal diaphragm to body seal is designed to minimize leakage and to provide excellent accuracy and longevity.

### Product Features

- Single-Stage Configuration
- Metal-to-Metal Seal
- 2" Pressure Gauge
- Fully Internal Electropolished
- Cleaned, Assembled, and Packaged for High Purity Semiconductor Application
- 100% Helium-leak tested

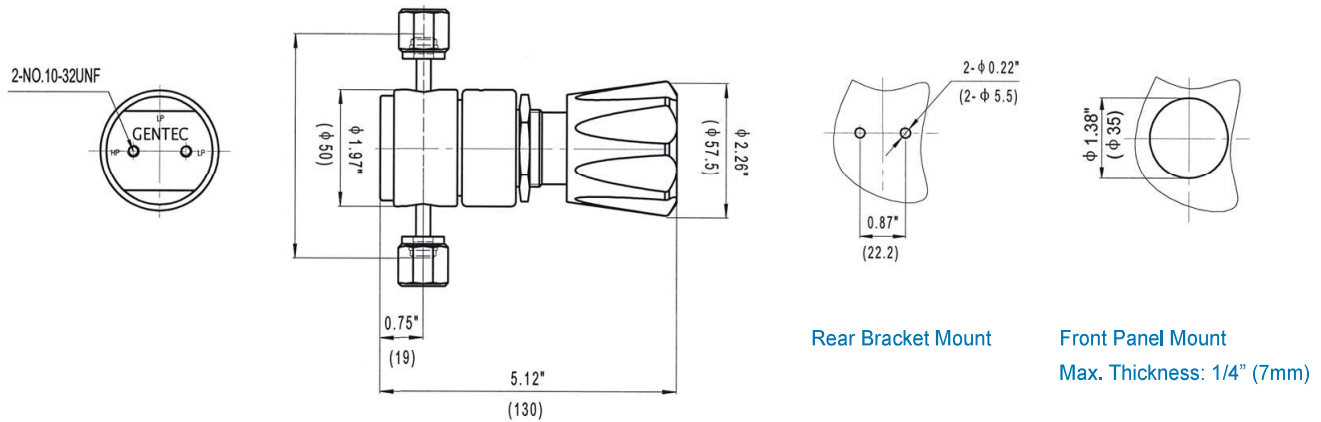
### Applications

- Semiconductor
- Solar
- Gas Panels
- OEM

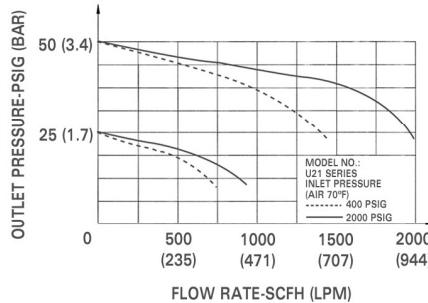
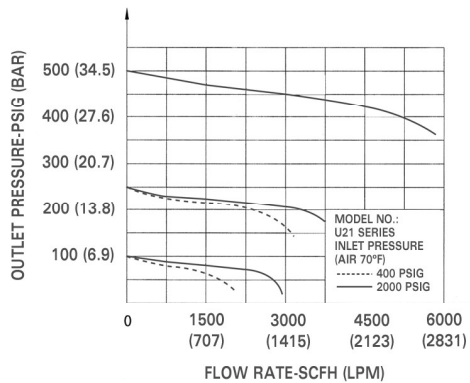
### Specifications

- Maximum inlet pressure: 500 psig (35 bar for B Port), 3000 psig (206 bar for A and G Port)
- Maximum outlet pressure: 500 psig
- Safety test pressure: 1.5 x Maximum inlet pressure
- Temperature range: -40°F~165°F (-40°C~ 74°C)
- Inboard leakage:  $2 \times 10^{-9}$  atm cc/sec He
- Outboard leakage:  $2 \times 10^{-9}$  atm cc/sec He
- Leakage across seat:  $4 \times 10^{-8}$  atm cc/sec He
- Maximum Cv: 0.14
- Weight: 3.8 lb

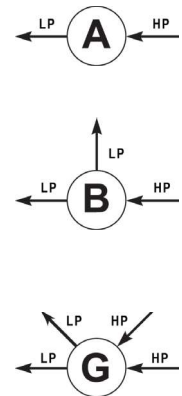
## Dimensions



## Flow Data



## Body Ports



## Ordering Information

EX:U21SL	G	K -	D	G	K -	91 - 91 -	P
Series	Ports	Seat	Inlet Pressure Ranges	Outlet Pressure Ranges	Gauge	Inlet / Outlet Connections	Options
• U21SL	A B G	K: PCTFE	D: 3000 psig F: 500 psig	F: 0-500 psig G: 0-250 psig I: 0-100 psig K: 0-50 psig L: 0-25 psig	K: Gauge W: No Gauge	90: 1/4" internal female FSR 91: 1/4" swivel female FSR 92: 1/4" swivel male FSR 41: 1/4" weld stub	E: Ra 10 $\mu$ m P: Panel Mounting H: Hastelloy® Diaphragm

# U22SL SERIES

Ultra High Purity High Flow Regulator

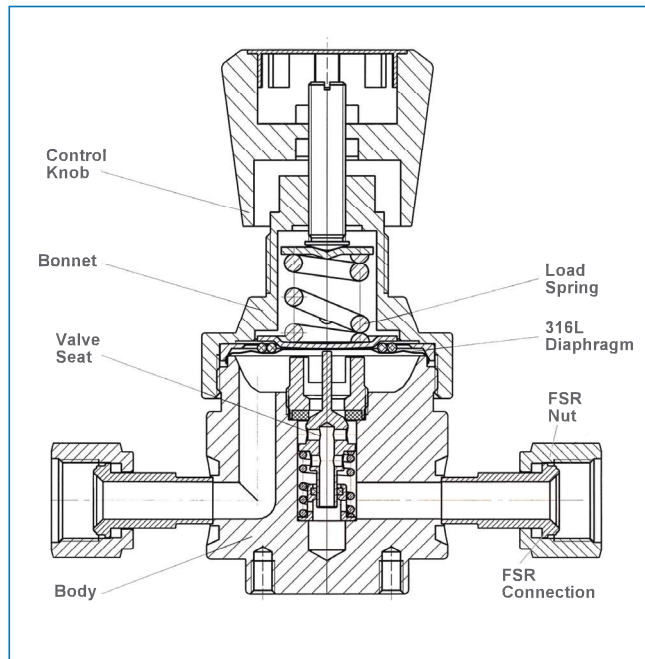
Specialty Gas Equipment



## » U22SLGK-DGK-95-95-P

### Materials

- |                  |                                  |
|------------------|----------------------------------|
| • Body           | 316L Stainless Steel             |
| • Poppet         | 316L Stainless Steel, Hastelloy® |
| • Seat           | PCTFE                            |
| • Diaphragm      | 316L Stainless Steel             |
| • Adjusting Knob | ABS Plastic                      |



GENTEC® R22SL Series Stainless Steel Regulators is a purge gas, pressure reducing regulators. It is designed for non-corrosive, corrosive, and toxic gas applications. Our metal-to-metal diaphragm to body seal is designed to minimize leakage and to provide excellent accuracy and longevity.

### Product Features

- Single-Stage Configuration
- Metal-to-Metal Seal
- 2" Pressure Gauge
- Fully Internal Electropolished
- Cleaned, Assembled, and Packaged for High Purity Semiconductor Application
- 100% Helium-leak tested

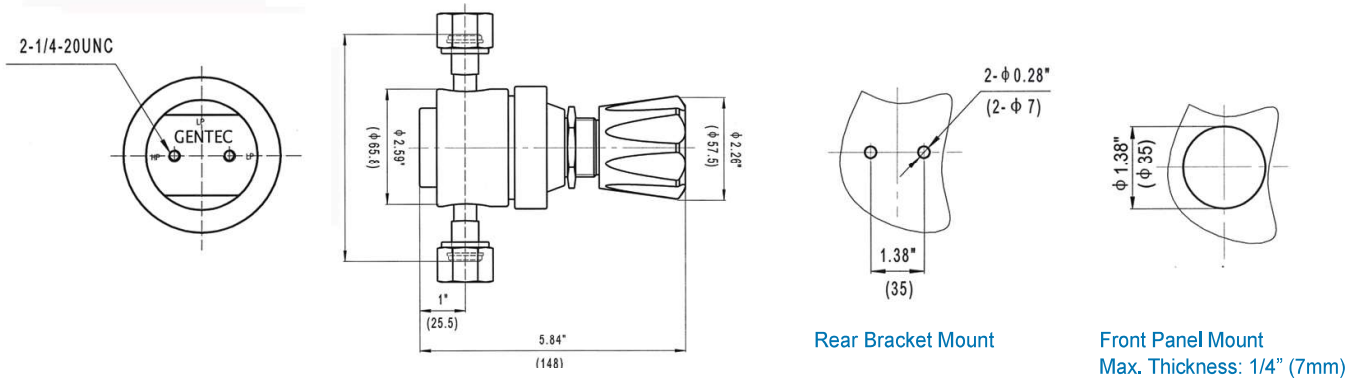
### Applications

- Semiconductor
- Solar
- Gas Panels
- OEM

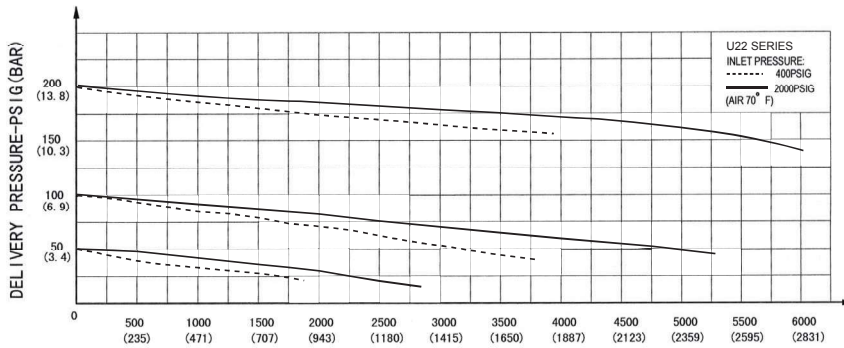
### Specifications

- **Maximum inlet pressure:** 500 psig (35 bar for B Port), 3000 psig (206 bar for A and G Port)
- **Maximum outlet pressure:** 250 psig
- **Safety test pressure:** 1.5 x Maximum inlet pressure
- **Temperature range:** -40°F~165°F (-40°C~ 74°C)
- **Inboard leakage:**  $2 \times 10^{-8}$  atm cc/sec He
- **Outboard leakage:**  $2 \times 10^{-9}$  atm cc/sec He
- **Leakage across seat:**  $4 \times 10^{-8}$  atm cc/sec He
- **Maximum Cv:** 1.1
- **Weight:** 3.8 lb

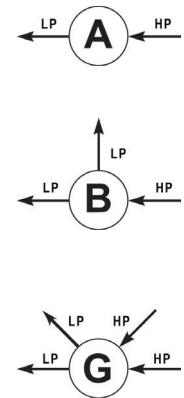
## Dimensions



## Flow Data



## Body Ports



## Ordering Information

EX:U22SL Series	G Ports	K - Seat	D Inlet Pressure Ranges	G Outlet Pressure Ranges	K - Gauge	95 - 95 - Inlet / Outlet Connections	P Options
• U22SL	A B G	K: PCTFE	D: 3000 psig F: 500 psig	G: 0-250 psig H: 0-150 psi I: 0-100 psig K: 0-50 psig L: 0-25 psig	K: Gauge W: No Gauge	95: 1/2" FSR(F) 96: 1/2" FSR(M)	E: Ra 10 μin P: Panel Mounting H: Hastelloy® Diaphragm

# U23SL SERIES

Ultra High Purity High Flow Regulator

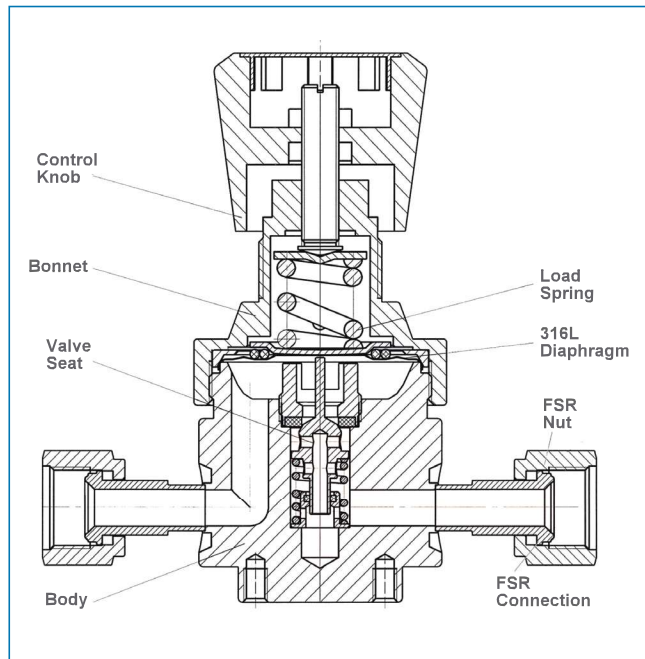
Specialty Gas Equipment



## » U23SLGK-DHK-95-95-P

### Materials

- Body 316L Stainless Steel
- Poppet 316 Stainless Steel
- Seat PCTFE
- Diaphragm 316L Stainless Steel
- Adjusting Knob ABS Plastic



GENTEC® U23SL Series Stainless Steel Regulator is an ideal purge regulator for low pressure and high purity systems. It also works great with heavy duty gas flow applications. Our metal-to-metal diaphragm to body seal is designed to minimize leakage and to provide excellent accuracy and longevity.

### Product Features

- Single-Stage Configuration
- Metal-to-Metal Seal
- 2" Pressure Gauge
- Fully Internal Electropolished
- Cleaned, Assembled, and Packaged for High Purity Semiconductor Application

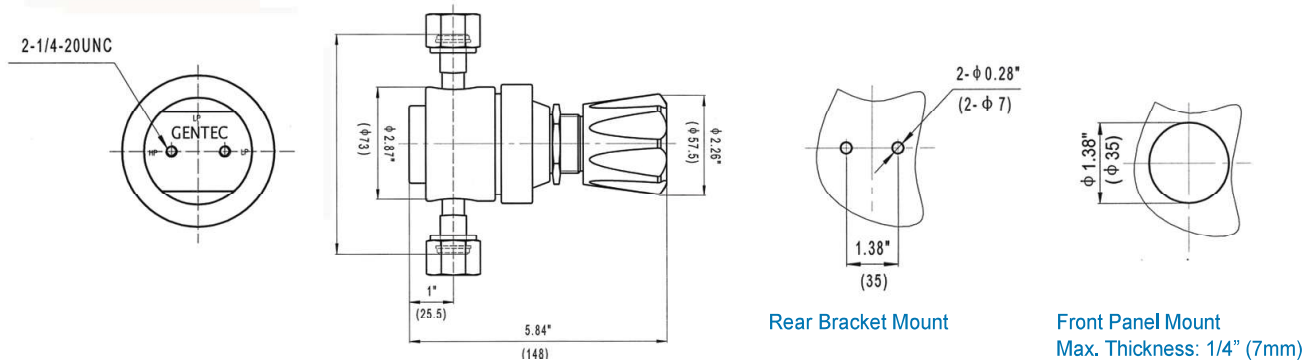
### Applications

- Semiconductor
- Solar
- Gas Panels
- OEM

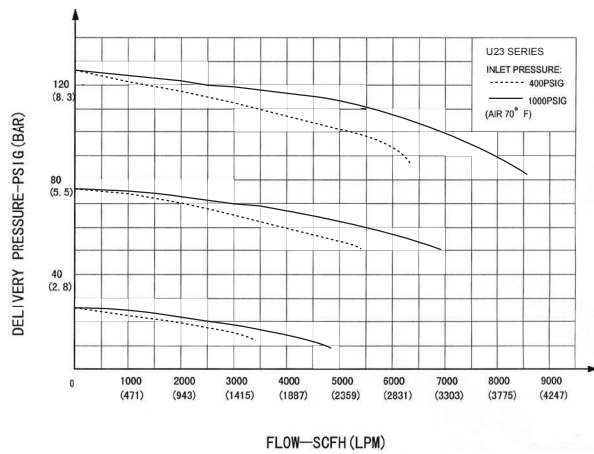
### Specifications

- **Maximum inlet pressure:** 500 psig (35 bar for B Port), 3000 psig (206 bar for A, G Ports)
- **Maximum outlet pressure:** 250 psig
- **Safety test pressure:** 1.5 x Maximum inlet pressure
- **Temperature range:** -40°F~165°F (-40°C~ 74°C)
- **Inboard leakage:**  $2 \times 10^{-9}$  atm cc/sec He
- **Outboard leakage:**  $2 \times 10^{-9}$  atm cc/sec He
- **Leakage across seat:**  $4 \times 10^{-8}$  atm cc/sec He
- **Maximum Cv:** 1.8
- **Weight:** 3.8 lb

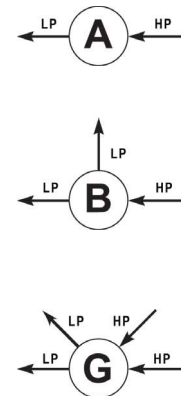
## Dimensions



## Flow Data



## Body Ports



## Ordering Information

EX: U23SL	G	K -	D	H	K -	95 - 95 -	P
Series	Ports	Seat	Inlet Pressure Ranges	Outlet Pressure Ranges	Gauge	Inlet / Outlet Connection	Options
• U23SL	A B G	K: PCTFE	D: 3000 psi F: 500 psi	G: 0-250 psi H: 0-150 psi I: 0-100 psi K: 0-50 psi L: 0-25 psi	K: Gauge W: No Gauge	95: 1/2" FSR(F) 96: 1/2" FSR(M)	E: Ra 10 μin P: Panel Mounting H: Hastelloy® Diaphragm



# U53SL SERIES

Ultra High Purity Low Flow Regulator

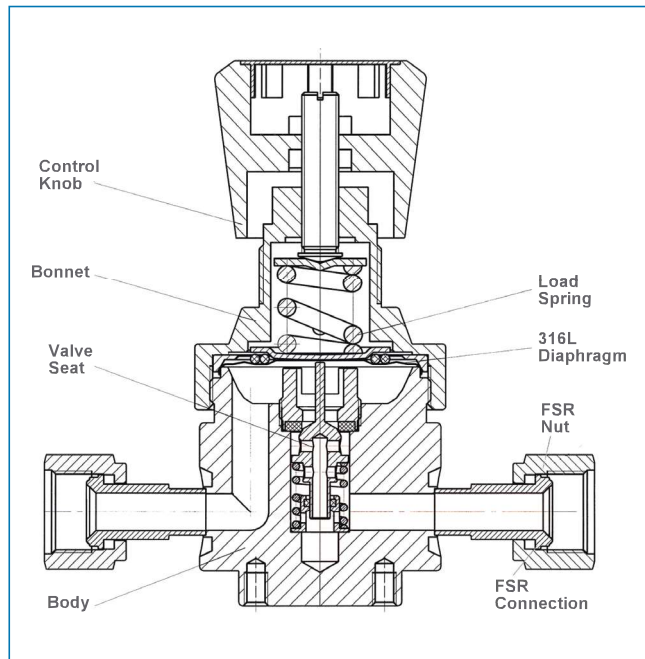
Specialty Gas Equipment



## » U53SLGK-GLK-91-91

### Materials

- Body 316L Stainless Steel
- Poppet 316 Stainless Steel
- Seat PCTFE
- Diaphragm 316L Stainless Steel
- Adjusting Knob ABS Elgiloy



GENTEC® U53SL Series Stainless Steel Regulator is a threadless, high purity Regulator with non-tied diaphragm design. Our metal-to-metal diaphragm to body seal is designed to minimize leakage and to provide excellent accuracy and longevity.

### Product Features

- Single-Stage Configuration
- Metal-to-Metal Seal
- 2" Pressure Gauge
- Fully Internal Electropolished
- Cleaned, Assembled, and Packaged for High Purity Semiconductor Application

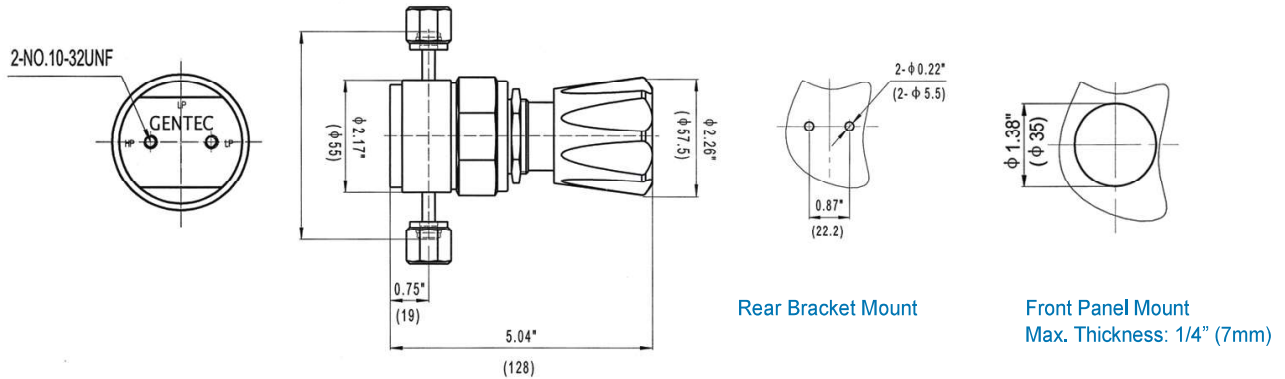
### Applications

- Semiconductor
- Solar
- Gas Panels
- OEM

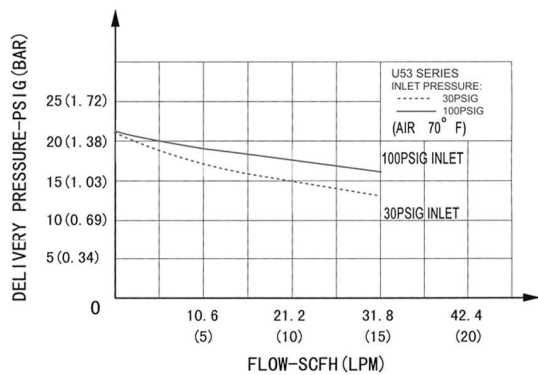
### Specifications

- Maximum inlet pressure: 300 psig
- Maximum outlet pressure: 30 psig
- Safety test pressure: 1.5 x Maximum inlet pressure
- Temperature range: -40°F~165°F (-40°C~ 74°C)
- Inboard leakage:  $0.5 \times 10^{-9}$  atm cc/sec He
- Outboard leakage:  $1 \times 10^{-9}$  atm cc/sec He
- Leakage across seat:  $4 \times 10^{-8}$  atm cc/sec He
- Maximum Cv: 0.054
- Weight: 3.8 lb

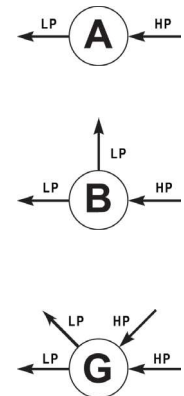
## Dimensions



## Flow Data



## Body Ports



## Ordering Information

EX:U53SL Series	G Ports	K - Seat	G Inlet Pressure Range	L Outlet Pressure Range	K - Gauge	91 - 91 - Inlet / Outlet Connections	Options
• U53SL	A B G	K: PCTFE	G: 300 psi	L: 0-30 psig	K: Gauge W: No Gauge	90: 1/4" internal female FSR 91: 1/4" swivel female FSR 92: 1/4" swivel male FSR 41: 1/4" weld stub	P: Panel Mounting H: Hastelloy® Diaphragm