

R21 SERIES

Low Flow Regulator

Solutions for Life



» R21SLMK-DIK-C580-11-D



» R21SLJT-FIK-11-11

GENTEC® R21 Series Regulator is a diaphragm-sensed single-stage high purity regulator.

Product Features

- Single-Stage Configuration
- Metal-to-Metal Seal
- Inlet & Outlet Port Size: 1/4" NPT(F)
- 2" Pressure Gauge

Materials

- Body: 316L Stainless Steel, Nickel-Plated Brass
- Seat: PCTFE, PTFE, Vespel®
- Diaphragm: 316L Stainless Steel, Hastelloy®
- Stem: 316L Stainless Steel
- Spring: 316L Stainless Steel

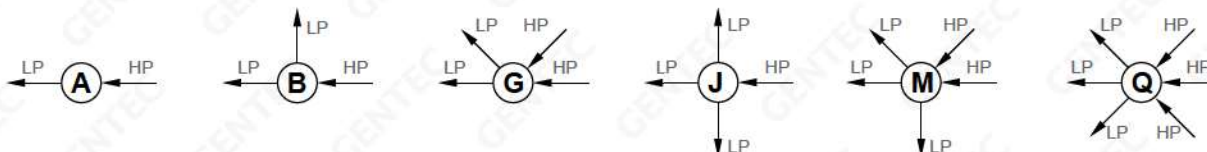
Specifications

- Maximum inlet pressure: 4500 psi (310 bar)
- Maximum outlet pressure: 500 psi (35 bar)
- Safety test pressure: 1.5 x Maximum inlet pressure
- Temperature range: -40 to 165°F (-40 to 74°C)
- Inboard leakage: 2×10^{-8} atm.cc/sec He
- Outboard leakage: 2×10^{-8} atm.cc/sec He
- Maximum Cv: 0.14
- Weight: 2.0 lb (0.9 kg)

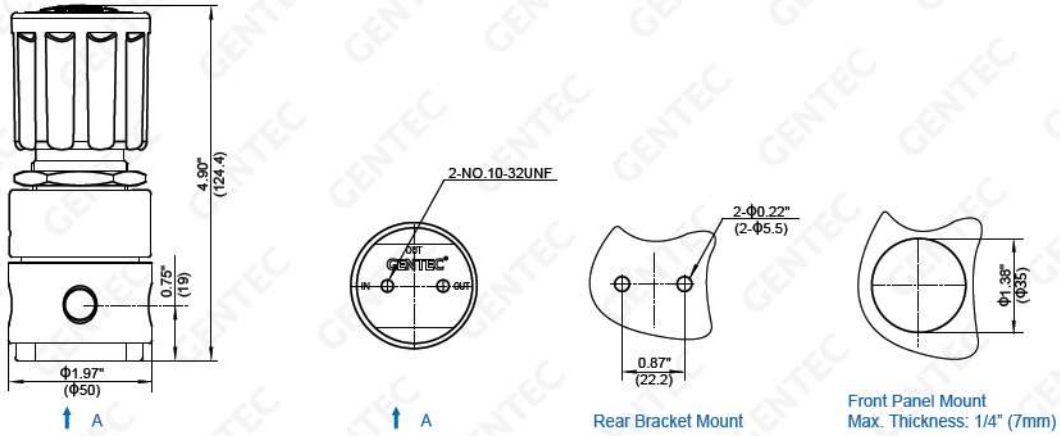
Applications

- Semiconductor Industry
- Research Laboratories
- Process Analyzer
- Gas Chromatography
- Petrochemical Industry
- Power Plants

Body Port

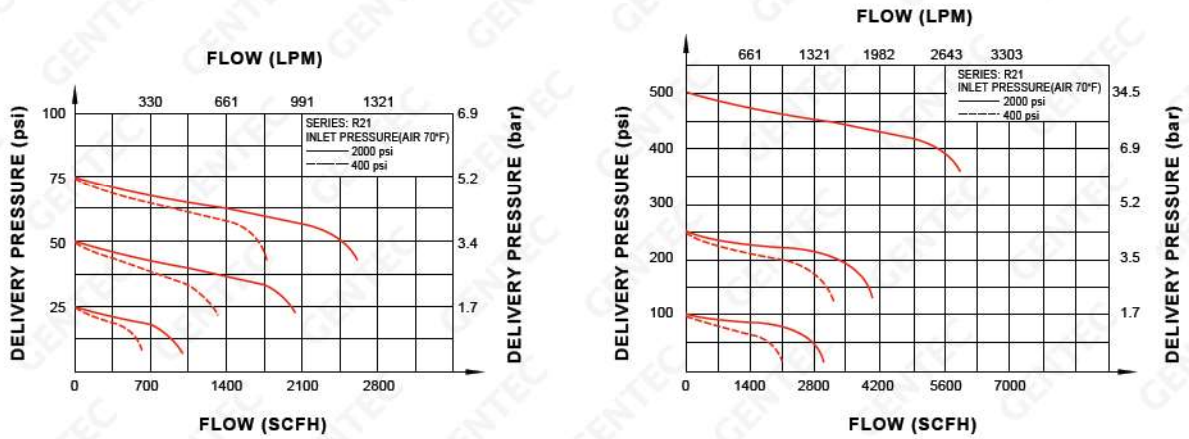


Dimensions



Dimensions: in (mm)

Flow Data



Ordering Information

EX: R21SL	M	K -	D	I	K -	C580 -	11 -	D
Series	Body Ports	Seat	Inlet Pressure Range	Outlet Pressure Ranges	Gauge	Inlet Connections	Outlet Connections	Options
• R21B (Brass)	A	K: PCTFE	C: 4500 psi (310 bar)	F: 0-500 psi (35 bar) G: 0-250 psi (17 bar) H: 0-150 psi (10 bar)	P: psi / bar K: psi / kPa W: No Gauge	00: 1/4" NPT(F) C346: CGA346 C320: CGA320 C350: CGA350 C510: CGA510 C540: CGA540 C580: CGA580 C590: CGA590 C326: CGA326	00: 1/4" NPT(F) 01: 1/4" NPT(M) 10: 1/8" GENLOK 11: 1/4" GENLOK 15: 6 mm GENLOK 16: 8 mm GENLOK Other connections available*	D: Diaphragm Valve N: Needle Valve R: Relief Valve H: Hastelloy® Diaphragm
	G	T: PTFE V: Vespel®	D: 3000 psi (206 bar)	I: 0-100 psi (7 bar) K: 0-50 psi (3 bar) L: 0-25 psi (1.5 bar) Q: 30" Hg Vac-30 psi (2 bar) S: 30" Hg Vac-100 psi (7 bar) T: 30" Hg Vac-200 psi (14 bar)		DN05: DIN477 No.5 BS02: BS341 No.2 Other connections available*		
	M		E: 1500 psi (103 bar) F: 500 psi (35 bar)					
• R21SL (316L)	J							
	Q							

*: Please see page 83 for more inlet connection options such as DIN, BSP, CGA, and JIS.